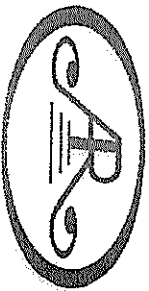


DETAIL A
SCALE 1 : 6

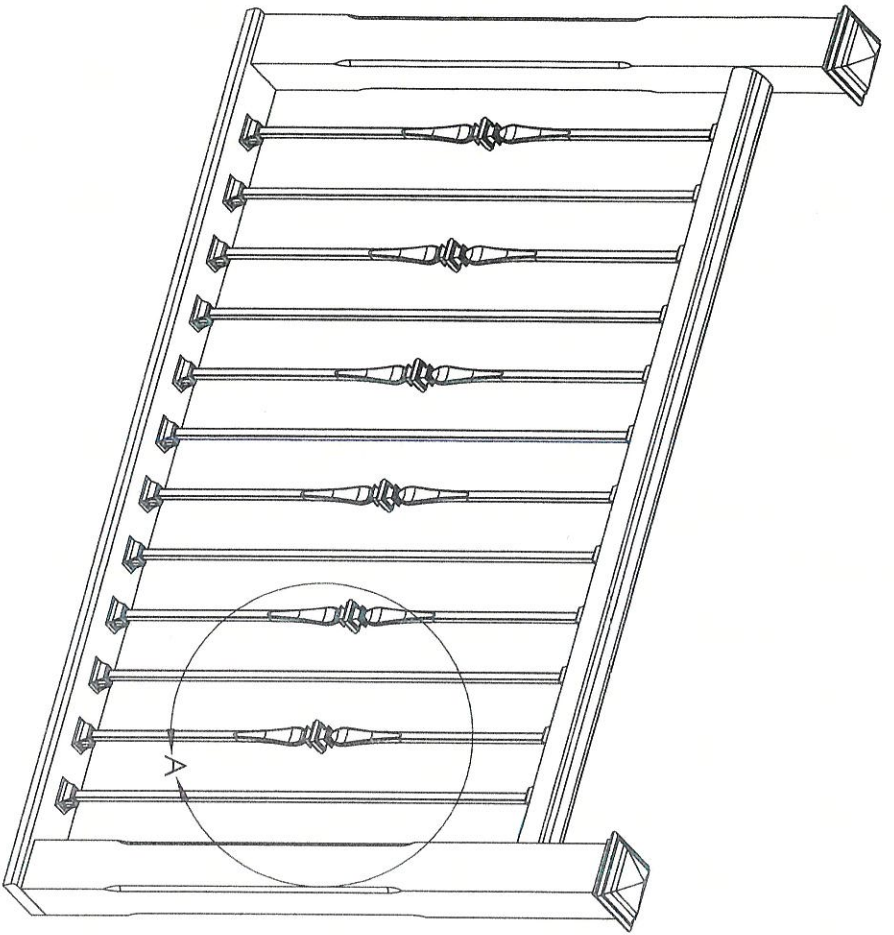


TITLE:
Steel Picket Samples

PROPRIETARY AND CONFIDENTIAL
THE INFORMATION CONTAINED IN THIS
DRAWING IS THE SOLE PROPERTY OF
Allport Ornamental Railings Co. Ltd. ANY
REPRODUCTION IN PART OR AS A WHOLE
WITHOUT THE WRITTEN PERMISSION OF
Allport Ornamental Railings Co. Ltd IS
PROHIBITED.

SIZE DWG.
A Euroline

REV



DETAIL A
SCALE 1 : 6



TITLE:
Steel Picket Samples

PROPRIETARY AND CONFIDENTIAL

THE INFORMATION CONTAINED IN THIS DRAWING IS THE SOLE PROPERTY OF Airport Ornamental Railings Co. Ltd. ANY REPRODUCTION IN PART OR AS A WHOLE WITHOUT THE WRITTEN PERMISSION OF Airport Ornamental Railings Co. Ltd IS PROHIBITED.

SIZE DWG.
A Euroline 1-2

REV

SHEET 1 OF 1

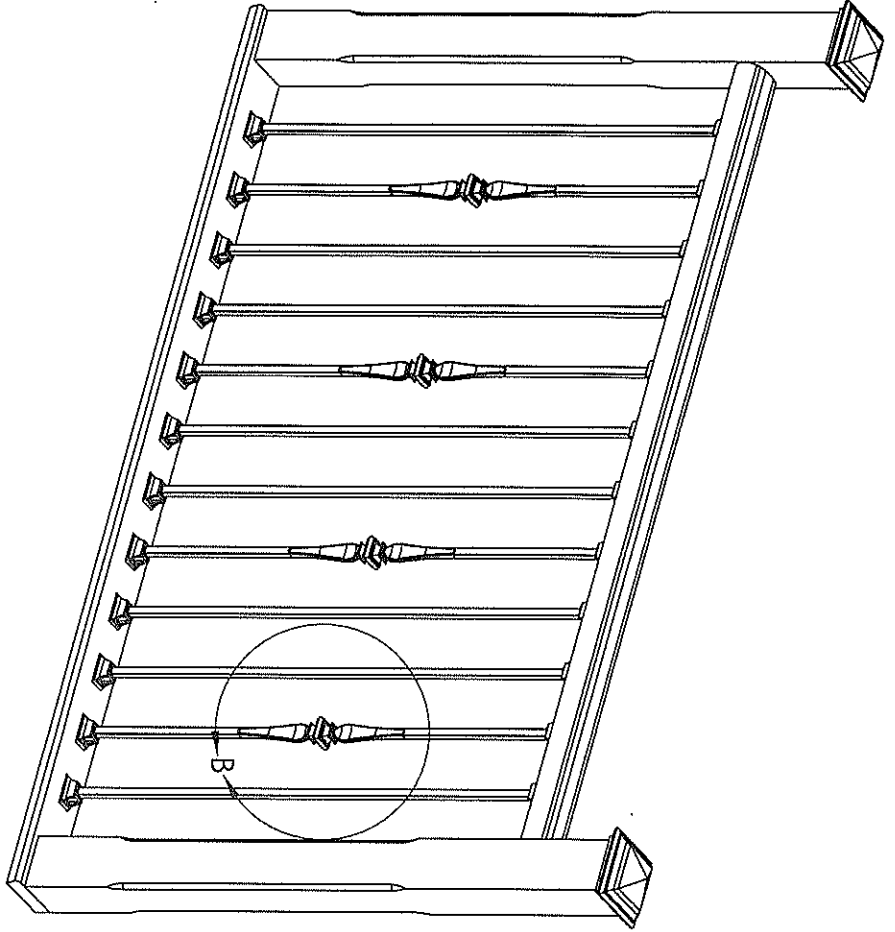
2

4

2

2

1



DETAIL B
SCALE 1 : 6

UNLESS OTHERWISE SPECIFIED:

DIMENSIONS ARE IN INCHES
TOLERANCES:
FRACTIONAL ±
ANGULAR: MACH ± BEND ±
TWO PLACE DECIMAL ±
THREE PLACE DECIMAL ±
INTERPRET GEOMETRIC
TOLERANCING PER:
MATERIAL
FINISH
DO NOT SCALE DRAWING

NAME DATE

TITLE:

Steel Picket Samples

SIZE DWG. NO.

A Euroline 1-3

REV

SCALE: 1:20 WEIGHT:

SHEET 2 OF 2

PROPRIETARY AND CONFIDENTIAL
THE INFORMATION CONTAINED IN THIS
DRAWING IS THE SOLE PROPERTY OF
INSERT COMPANY NAME HERE. ANY
REPRODUCTION IN PART OR AS A WHOLE
WITHOUT THE WRITTEN PERMISSION OF
INSERT COMPANY NAME HERE IS
PROHIBITED.

NEXT ASSY

USED ON

FINISH

COMMENTS:

5

4

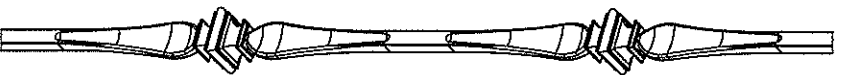
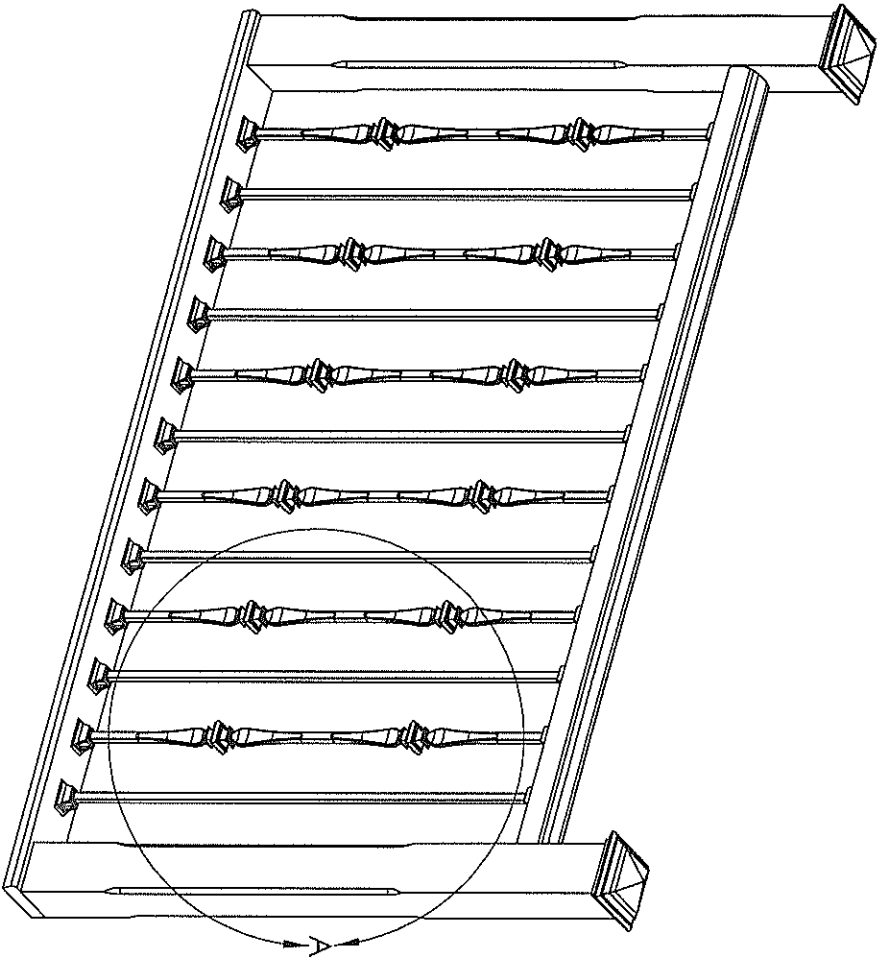
2

2

1

APPLICATION

DO NOT SCALE DRAWING



DETAIL A
SCALE 1 : 6

UNLESS OTHERWISE SPECIFIED:

DIMENSIONS ARE IN INCHES
TOLERANCES:
FRACTIONAL ±
ANGULAR: MATCH ± BEND ±
TWO PLACE DECIMAL ±
THREE PLACE DECIMAL ±

DRAWN
CHECKED
ENG APPR.
MFG APPR.
Q.A.
COMMENTS:

NAME

DATE

TITLE:

Steel Picket Samples

SIZE DWG. NO.

A Euroline 2-2

REV

PROPRIETARY AND CONFIDENTIAL
THE INFORMATION CONTAINED IN THIS DRAWING IS THE SOLE PROPERTY OF <INSERT COMPANY NAME HERE>. ANY REPRODUCTION IN PART OR AS A WHOLE WITHOUT THE WRITTEN PERMISSION OF <INSERT COMPANY NAME HERE> IS PROHIBITED.

NEXT ASSY

USED ON

FINISH

APPLICATION

DO NOT SCALE DRAWING

2

4

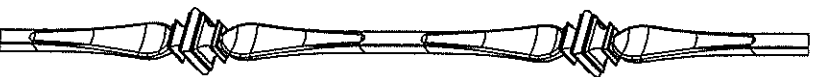
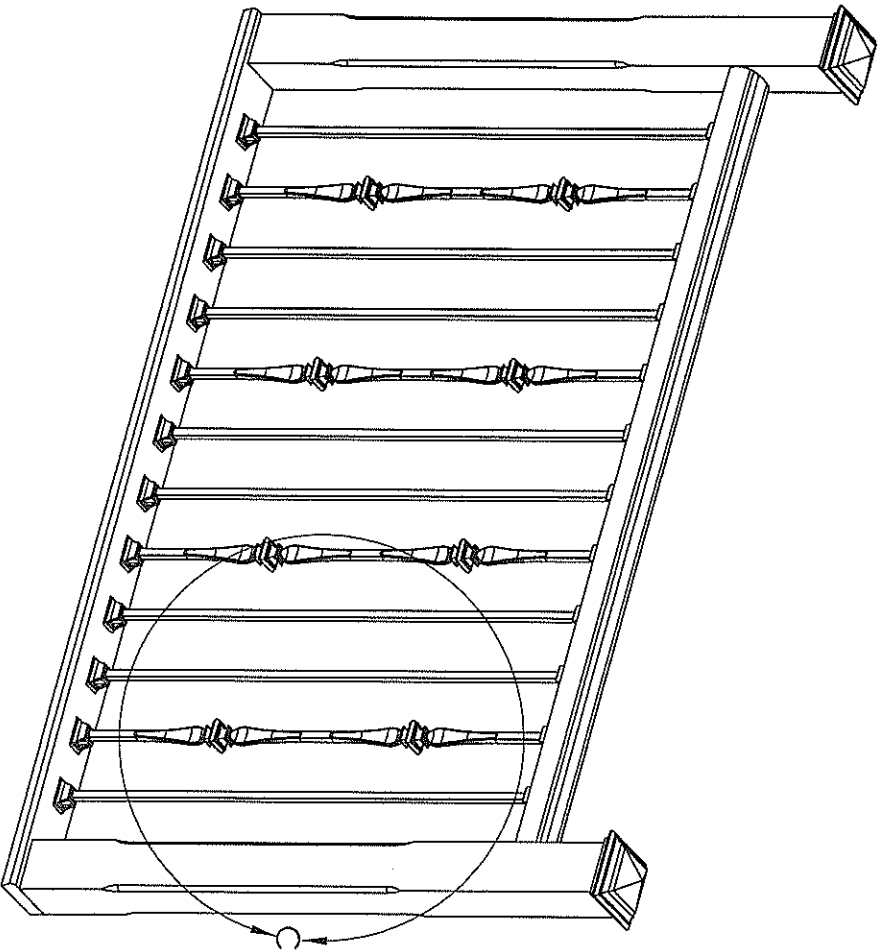
2

2

1

SCALE: 1:20 WEIGHT:

SHEET 2 OF 2



DETAIL C
SCALE 1 : 6

UNLESS OTHERWISE SPECIFIED:

DIMENSIONS ARE IN INCHES
TOLERANCES:
FRACTIONAL ±
ANGULAR: MACH ± BEND ±
TWO PLACE DECIMAL ±
THREE PLACE DECIMAL ±
INTERPRET GEOMETRIC
TOLERANCING PER:
MATERIAL
FINISH
DO NOT SCALE DRAWING

NAME DATE

TITLE:

Steel Picket Samples

SIZE DWG. NO. REV

A Euroline 2-3

SCALE: 1:20 WEIGHT: SHEET 2 OF 4

PROPRIETARY AND CONFIDENTIAL
THE INFORMATION CONTAINED IN THIS
DRAWING IS THE SOLE PROPERTY OF
<INSERT COMPANY NAME HERE>. ANY
REPRODUCTION IN PART OR AS A WHOLE
WITHOUT THE WRITTEN PERMISSION OF
<INSERT COMPANY NAME HERE> IS
PROHIBITED.

NEXT ASSY

USED ON

APPLICATION

DO NOT SCALE DRAWING

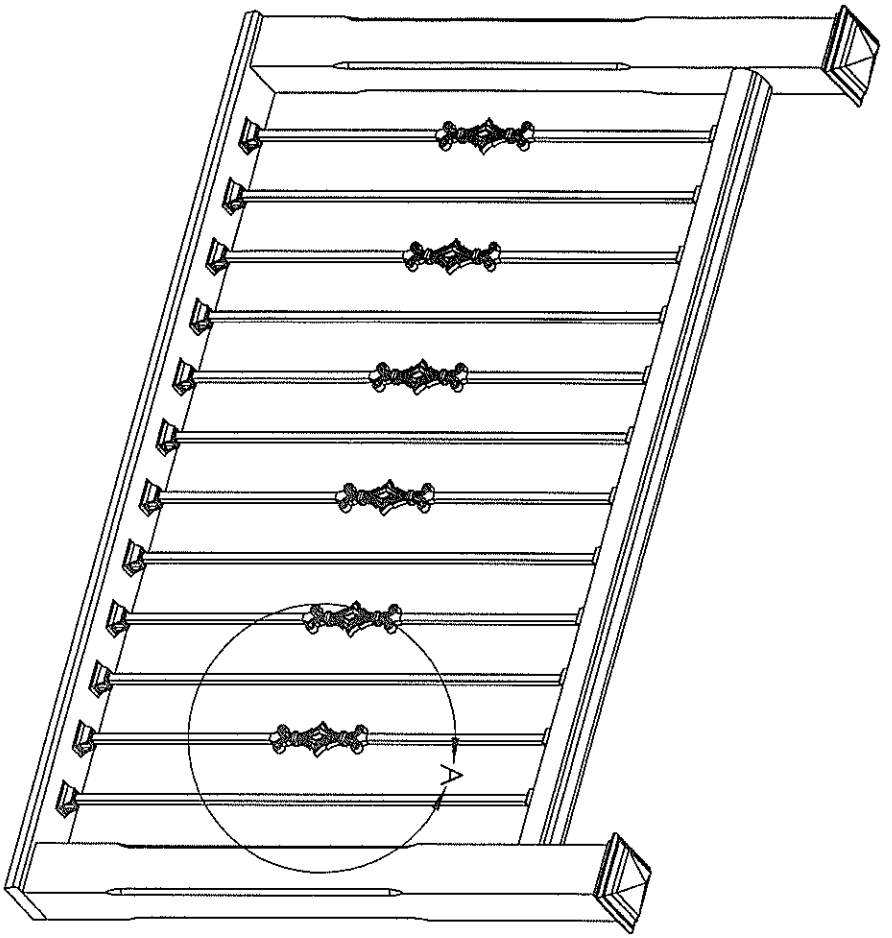
5

4

3

2

1



DETAIL A
SCALE 1 : 6
HAMMERED
FINISH

UNLESS OTHERWISE SPECIFIED:

DIMENSIONS ARE IN INCHES
TOLERANCES:
FRACTIONAL ±
ANGULAR: MACH ± BEND ±
TWO PLACE DECIMAL ±
THREE PLACE DECIMAL ±
INTERPRET GEOMETRIC
TOLERANCING PER:
MATERIAL COMMENTS:

NAME DATE

TITLE:

Steel Picket Samples

SIZE DWG. NO.

A Euroline 3A-2

REV

SCALE: 1:20 WEIGHT:

SHEET 2 OF 2

PROPRIETARY AND CONFIDENTIAL
THE INFORMATION CONTAINED IN THIS
DRAWING IS THE SOLE PROPERTY OF
<INSERT COMPANY NAME HERE>. ANY
REPRODUCTION IN PART OR AS A WHOLE
WITHOUT THE WRITTEN PERMISSION OF
<INSERT COMPANY NAME HERE> IS
PROHIBITED.

NEXT ASSY

USED ON

FINISH

APPLICATION

DO NOT SCALE DRAWING

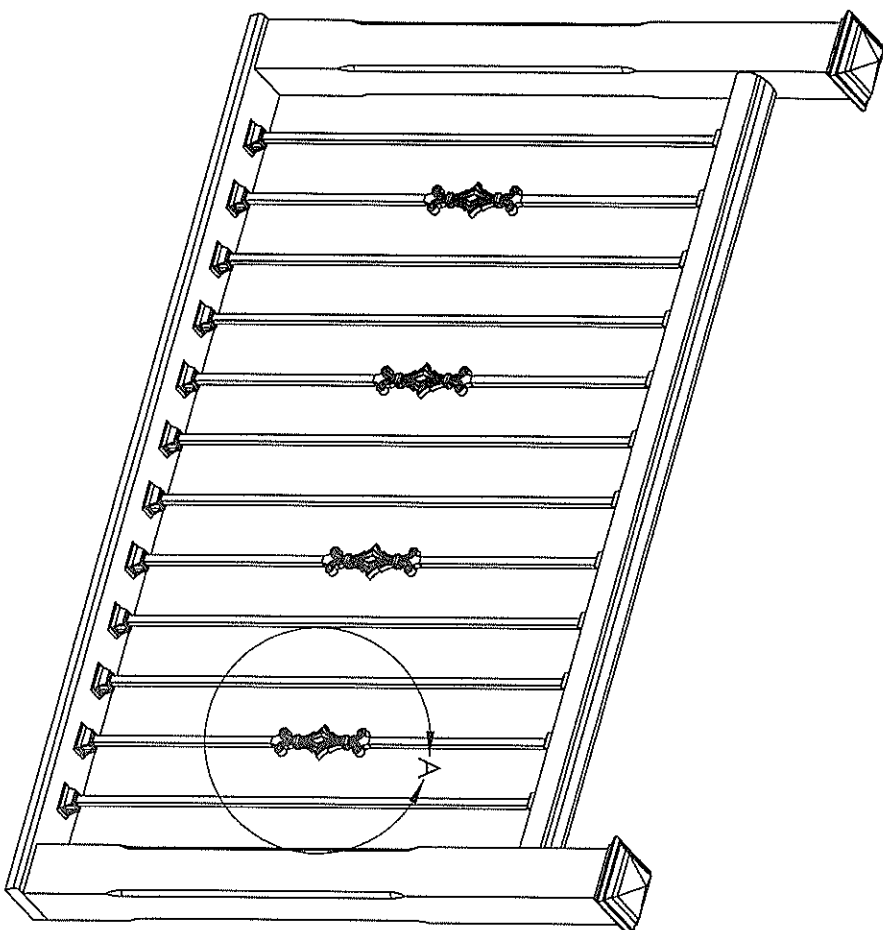
5

4

2

9

1



DETAIL A
SCALE 1 : 6
HAMMERED
FINISH

UNLESS OTHERWISE SPECIFIED:

- DIMENSIONS ARE IN INCHES
- TOLERANCES:
- FRACTIONAL ±
- ANGULAR: MACH ± BEND ±
- TWO PLACE DECIMAL ±
- THREE PLACE DECIMAL ±
- INTERPRET GEOMETRIC TOLERANCING PER: Q.A.
- MATERIAL COMMENTS:
- FINISH

NAME DATE

TITLE:

Steel Picket Samples

SIZE DWG. NO. REV

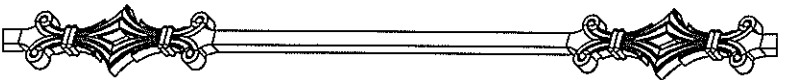
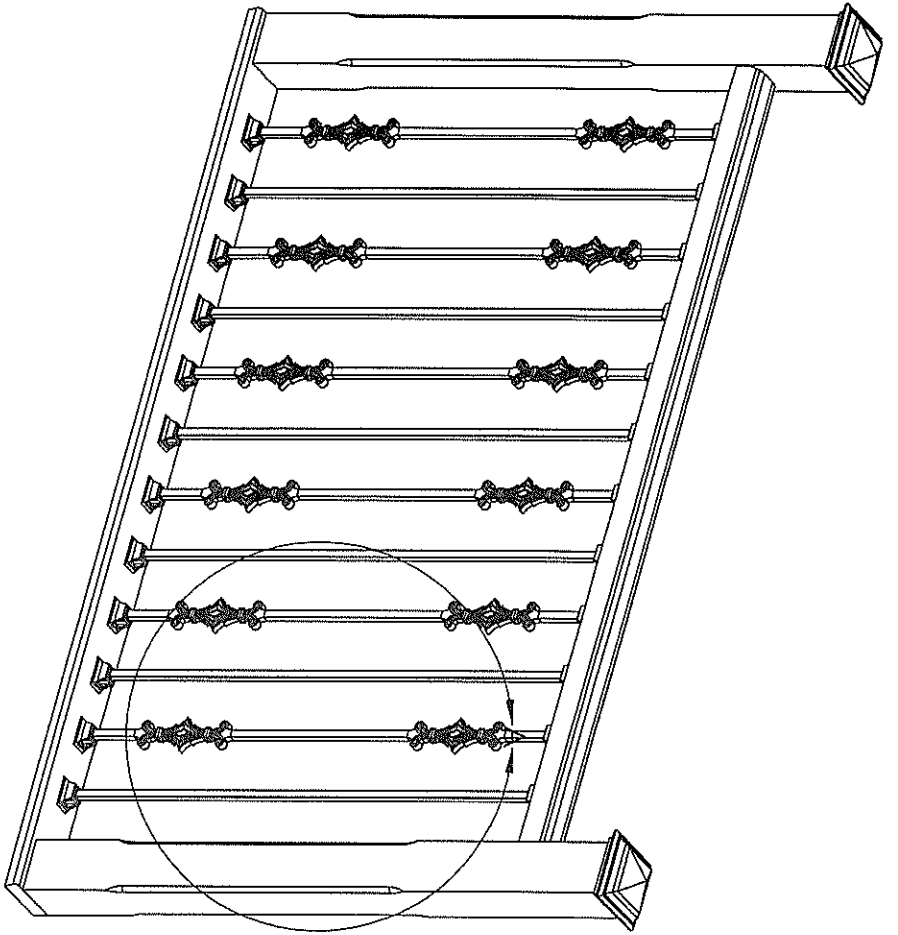
A Euroline 3A-3

SCALE: 1:20 WEIGHT: SHEET 2 OF 2

PROPRIETARY AND CONFIDENTIAL
THE INFORMATION CONTAINED IN THIS DRAWING IS THE SOLE PROPERTY OF <INSERT COMPANY NAME HERE>. ANY REPRODUCTION IN PART OR AS A WHOLE WITHOUT THE WRITTEN PERMISSION OF <INSERT COMPANY NAME HERE> IS PROHIBITED.

NEXT ASSY USED ON APPLICATION

5 4 3 2



DETAIL A
SCALE 1 : 6
HAMMERED
FINISH

UNLESS OTHERWISE SPECIFIED:

DIMENSIONS ARE IN INCHES
TOLERANCES:
FRACTIONAL ±
ANGULAR: MA CH ± BEND ±
TWO PLACE DECIMAL ±
THREE PLACE DECIMAL ±

INTERPRET GEOMETRIC
TOLERANCING PER:
MATERIAL

FINISH

NAME

DATE

TITLE:

Steel Picket Samples

SIZE DWG. NO.

A Euroline 3A Double-2

REV

PROPRIETARY AND CONFIDENTIAL
THE INFORMATION CONTAINED IN THIS
DRAWING IS THE SOLE PROPERTY OF
<INSERT COMPANY NAME HERE>. ANY
REPRODUCTION IN PART OR AS A WHOLE
WITHOUT THE WRITTEN PERMISSION OF
<INSERT COMPANY NAME HERE> IS
PROHIBITED.

NEXT ASSY

USED ON

APPLICATION

DO NOT SCALE DRAWING

5

4

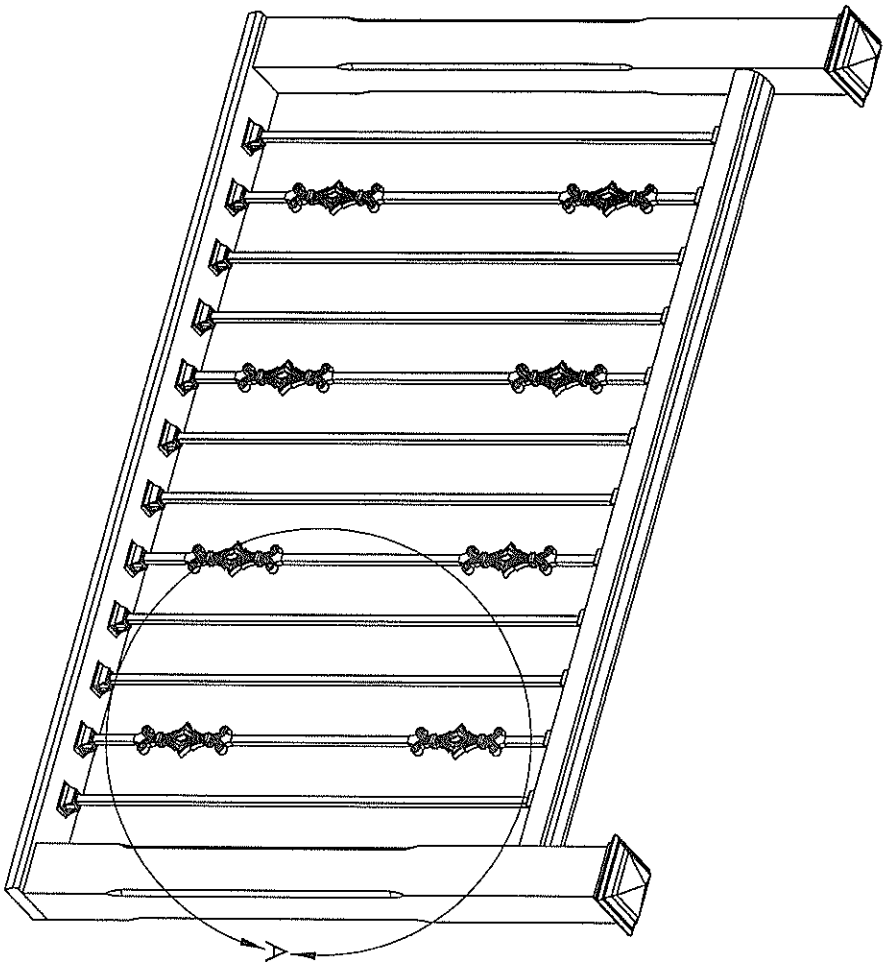
2

9

1

SHEET 2 OF 2

SCALE: 1:20 WEIGHT:



DETAIL A
SCALE 1 : 6

Hammered
Finish

UNLESS OTHERWISE SPECIFIED:

DIMENSIONS ARE IN INCHES
TOLERANCES:
FRACTIONAL: ±
ANGULAR: MACH ± BEND ±
TWO PLACE DECIMAL ±
THREE PLACE DECIMAL ±
INTERPRET GEOMETRIC
TOLERANCING PER:
MATERIAL Q.A.
COMMENTS:

NAME DATE

TITLE:

Steel Picket Sample:

SIZE DWG. NO. REV

A Euroline 3A Double-3

SCALE: 1:20 WEIGHT: SHEET 2 OF 3

PROPRIETARY AND CONFIDENTIAL
THE INFORMATION CONTAINED IN THIS
DRAWING IS THE SOLE PROPERTY OF
<INSERT COMPANY NAME HERE>. ANY
REPRODUCTION IN PART OR AS A WHOLE
WITHOUT THE WRITTEN PERMISSION OF
<INSERT COMPANY NAME HERE> IS
PROHIBITED.

NEXT ASSY

USED ON

FINISH

APPLICATION

DO NOT SCALE DRAWING

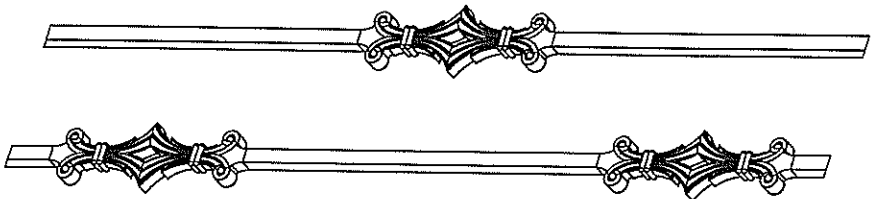
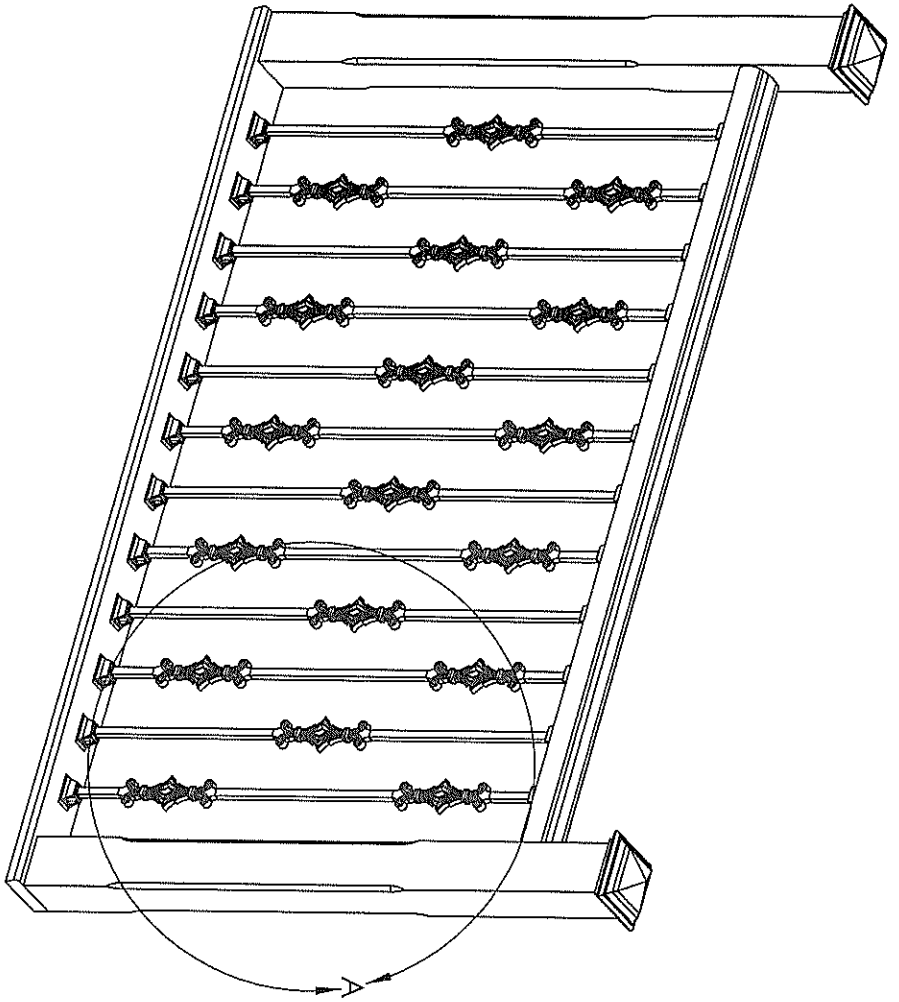
5

4

2

2

1



DETAIL A
SCALE 1 : 6
HAMMERED
FINISH

UNLESS OTHERWISE SPECIFIED:

- DIMENSIONS ARE IN INCHES
- TOLERANCES:
- FRACTIONAL ±
- ANGULAR: MACH ± BEND ±
- TWO PLACE DECIMAL ±
- THREE PLACE DECIMAL ±
- INTERPRET GEOMETRIC TOLERANCING PER MATERIAL
- Q.A. COMMENTS:

NAME DATE

TITLE:

Steel Picket Samples

SIZE DWG. NO.

A Euroline 3A Double Alt-2

REV

SCALE: 1:20 WEIGHT:

SHEET 2 OF 2

NEXT ASSY USED ON APPLICATION

DO NOT SCALE DRAWING

PROPRIETARY AND CONFIDENTIAL
THE INFORMATION CONTAINED IN THIS DRAWING IS THE SOLE PROPERTY OF <INSERT COMPANY NAME HERE>. ANY REPRODUCTION IN PART OR AS A WHOLE WITHOUT THE WRITTEN PERMISSION OF <INSERT COMPANY NAME HERE> IS PROHIBITED.

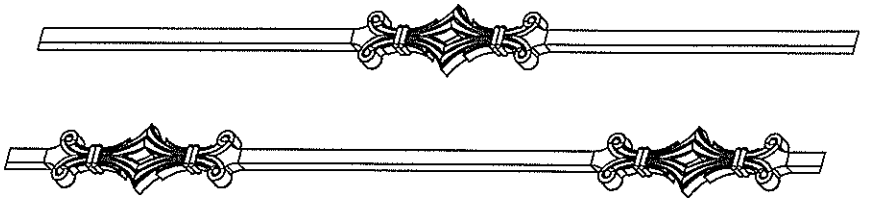
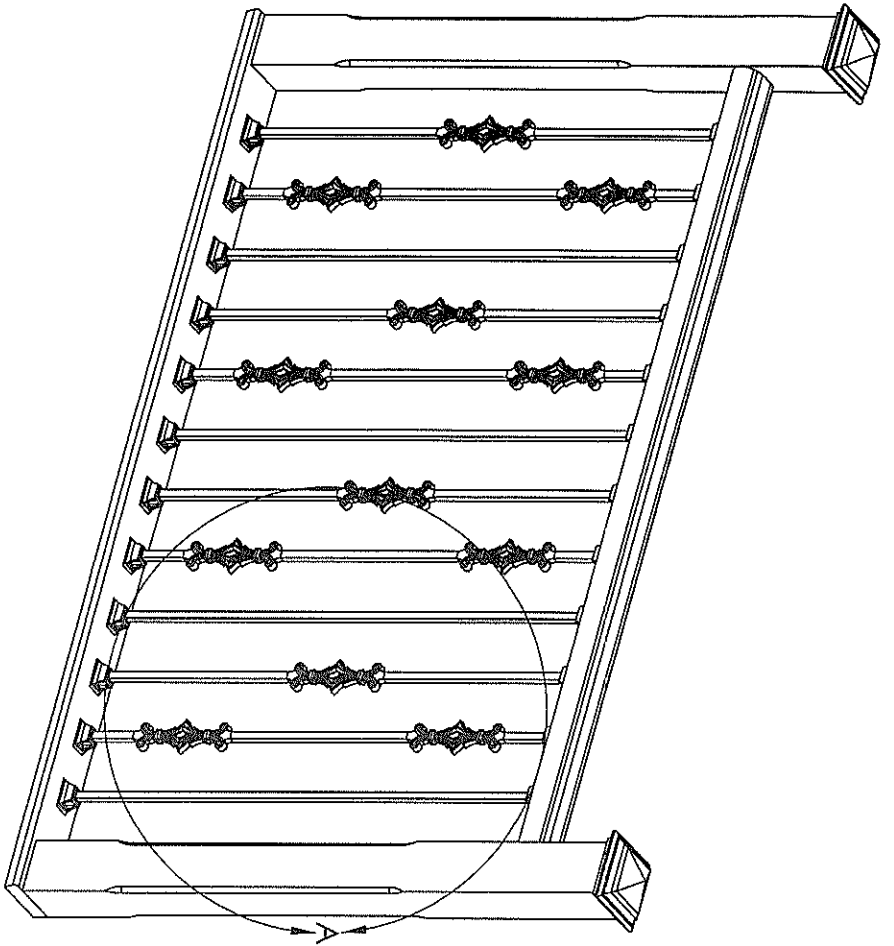
5

1

2

3

1



DETAIL A
SCALE 1:6
HAMMERED
FINISH

UNLESS OTHERWISE SPECIFIED:

- DIMENSIONS ARE IN INCHES
- TOLERANCES:
- FRACTIONAL ±
- ANGULAR: MACH ± BEND ±
- TWO PLACE DECIMAL ±
- THREE PLACE DECIMAL ±
- INTERPRET GEOMETRIC TOLERANCING PER: Q.A.
- FINISH MATERIAL COMMENTS:

NAME DATE

TITLE:

Steel Picket Samples

SIZE DWG. NO.

A Euroline 3A Double Alt-3

REV

SCALE: 1:20/WEIGHT:

SHEET 2 OF 2

PROPRIETARY AND CONFIDENTIAL
THE INFORMATION CONTAINED IN THIS DRAWING IS THE SOLE PROPERTY OF <INSERT COMPANY NAME HERE>. ANY REPRODUCTION IN PART OR AS A WHOLE WITHOUT THE WRITTEN PERMISSION OF <INSERT COMPANY NAME HERE> IS PROHIBITED.

NEXT ASSY

USED ON

FINISH

APPLICATION

DO NOT SCALE DRAWING

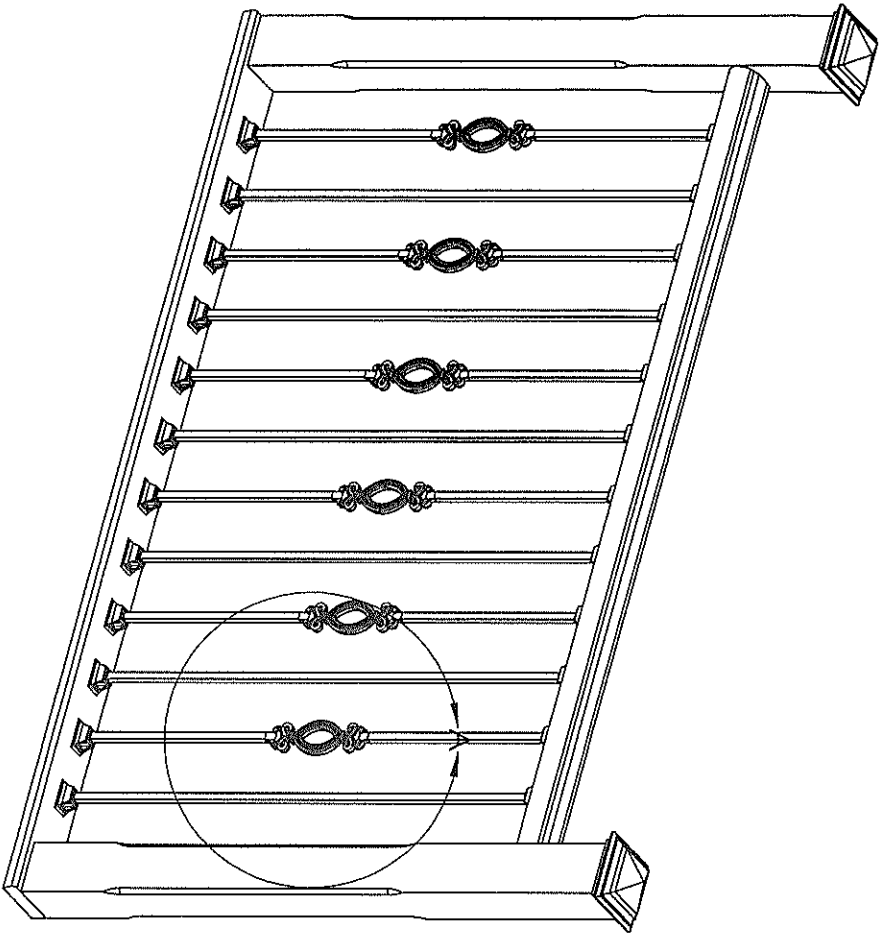
4

1

2

2

1



DETAIL A
SCALE 1 : 6
HAMMERED
FINISH

UNLESS OTHERWISE SPECIFIED:

DIMENSIONS ARE IN INCHES
TOLERANCES:
FRACTIONAL ±
ANGULAR: MACH ± BEND ±
TWO PLACE DECIMAL ±
THREE PLACE DECIMAL ±
INTERPRET GEOMETRIC
TOLERANCING PER:
MATERIAL COMMENTS:
Q.A.

NAME DATE

TITLE:

Steel Picket Sample

SIZE DWG. NO. REV

A Euroline 3B-2

SCALE: 1:20 WEIGHT: SHEET 2 OF 4

PROPRIETARY AND CONFIDENTIAL
THE INFORMATION CONTAINED IN THIS
DRAWING IS THE SOLE PROPERTY OF
<INSERT COMPANY NAME HERE>. ANY
REPRODUCTION IN PART OR AS A WHOLE
WITHOUT THE WRITTEN PERMISSION OF
<INSERT COMPANY NAME HERE> IS
PROHIBITED.

NEXT ASSY

USED ON

FINISH

APPLICATION

DO NOT SCALE DRAWING

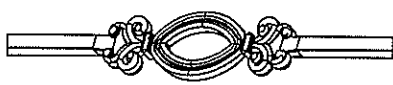
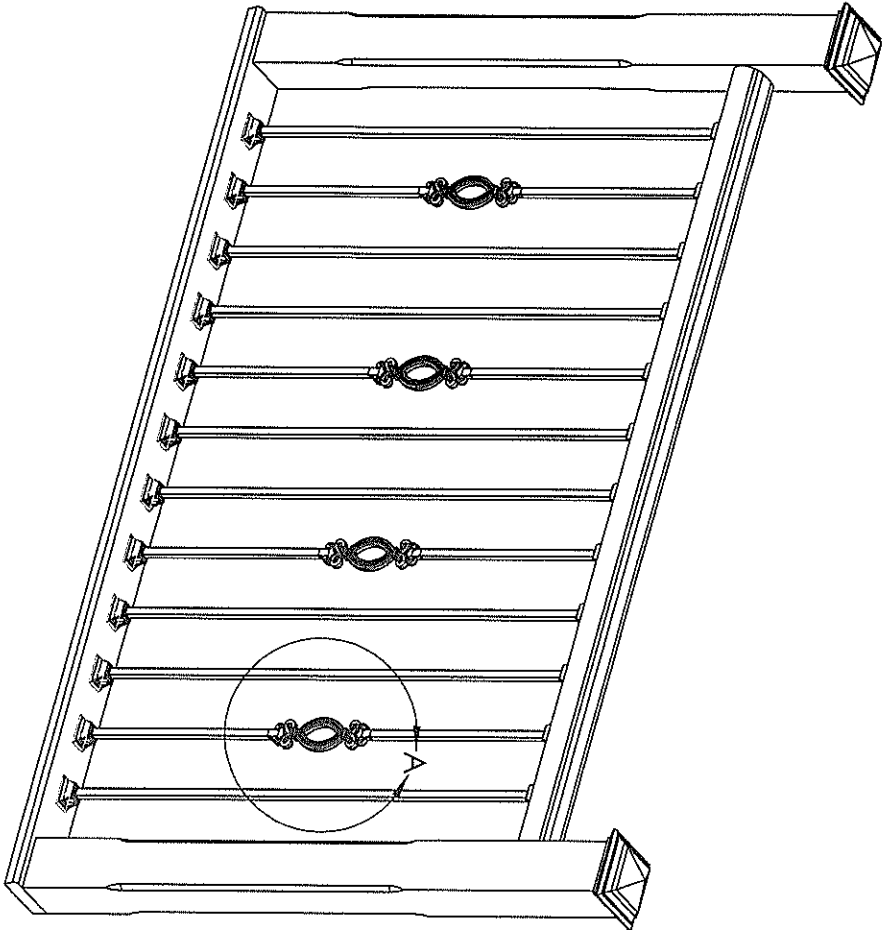
5

4

2

9

1



DETAIL A
SCALE 1 : 6
HAMM RED
FINISH

UNLESS OTHERWISE SPECIFIED:

- DIMENSIONS ARE IN INCHES
- TOLERANCES:
- FRACTIONAL ±
- ANGULAR: MAJOR ± BEND ±
- TWO PLACE DECIMAL ±
- THREE PLACE DECIMAL ±
- INTERPRET GEOMETRIC TOLERANCING PER:
- MATERIAL
- FINISH
- DO NOT SCALE DRAWING

NAME DATE

TITLE:

Steel Picket Samples

SIZE DWG. NO. **A** Euroline 3B-3 REV

SCALE: 1:20 WEIGHT: SHEET 2 OF 2

PROPRIETARY AND CONFIDENTIAL
THE INFORMATION CONTAINED IN THIS DRAWING IS THE SOLE PROPERTY OF <INSERT COMPANY NAME HERE>. ANY REPRODUCTION IN PART OR AS A WHOLE WITHOUT THE WRITTEN PERMISSION OF <INSERT COMPANY NAME HERE> IS PROHIBITED.

NEXT ASSY

USED ON

APPLICATION

DO NOT SCALE DRAWING

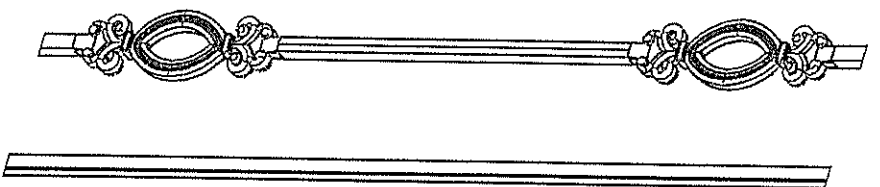
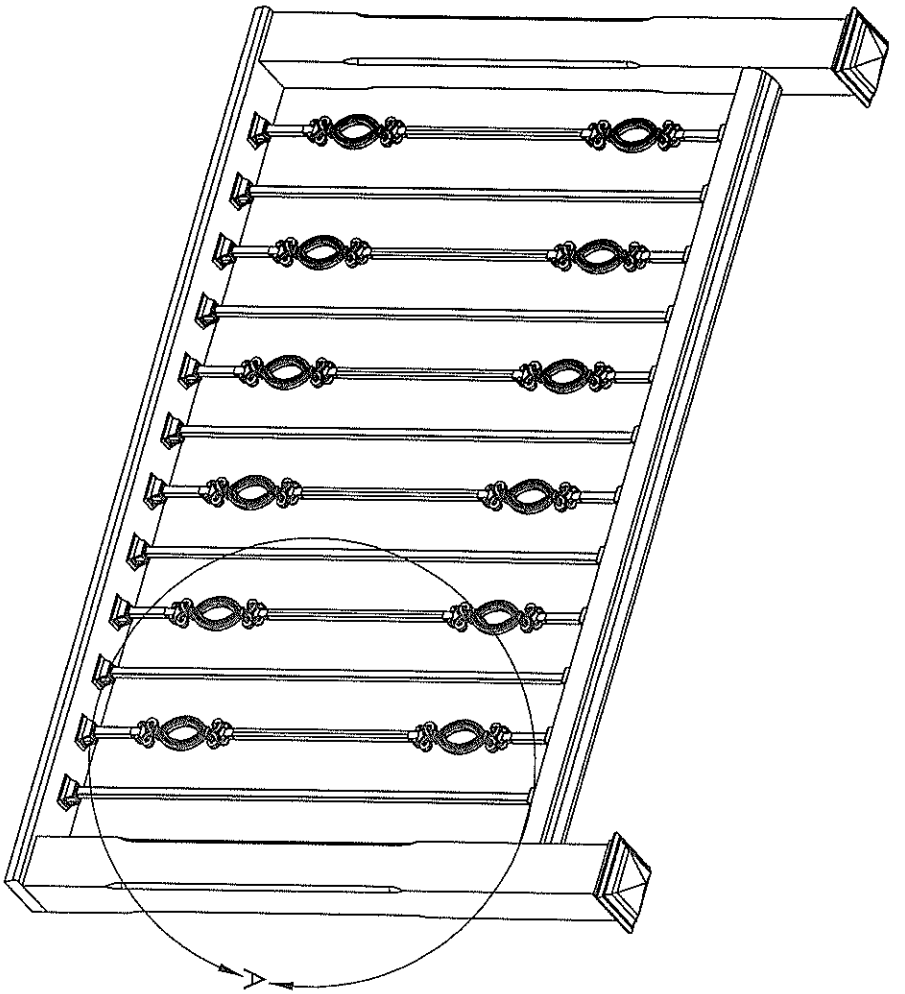
5

4

2

2

1



DETAIL A
SCALE 1 : 6
HAMMERSLEY
FINISH

UNLESS OTHERWISE SPECIFIED:

DIMENSIONS ARE IN INCHES
TOLERANCES:
FRACTIONAL ±
ANGULAR: MACH ± BEND ±
TWO PLACE DECIMAL ±
THREE PLACE DECIMAL ±
INTERPRET GEOMETRIC
TOLERANCING PER:
MATERIAL
FINISH
DO NOT SCALE DRAWING

NAME DATE

TITLE:

SIZE DWG. NO.

A Euroline 3B Double-2

REV

SCALE: 1:20 WEIGHT:

SHEET 2 OF 2

PROPRIETARY AND CONFIDENTIAL
THE INFORMATION CONTAINED IN THIS
DRAWING IS THE SOLE PROPERTY OF
<INSERT COMPANY NAME HERE>. ANY
REPRODUCTION IN PART OR AS A WHOLE
WITHOUT THE WRITTEN PERMISSION OF
<INSERT COMPANY NAME HERE> IS
PROHIBITED.

NEXT ASSY

USED ON

FINISH

APPLICATION

DO NOT SCALE DRAWING

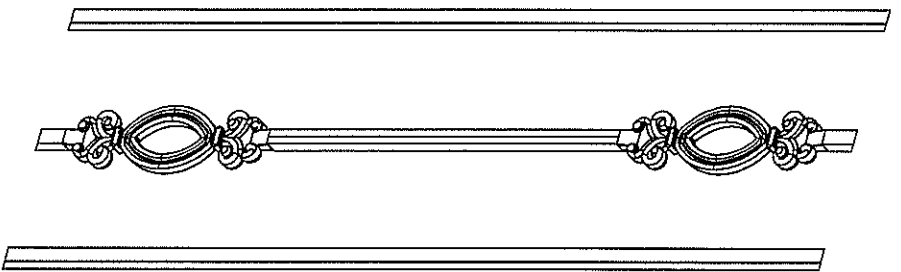
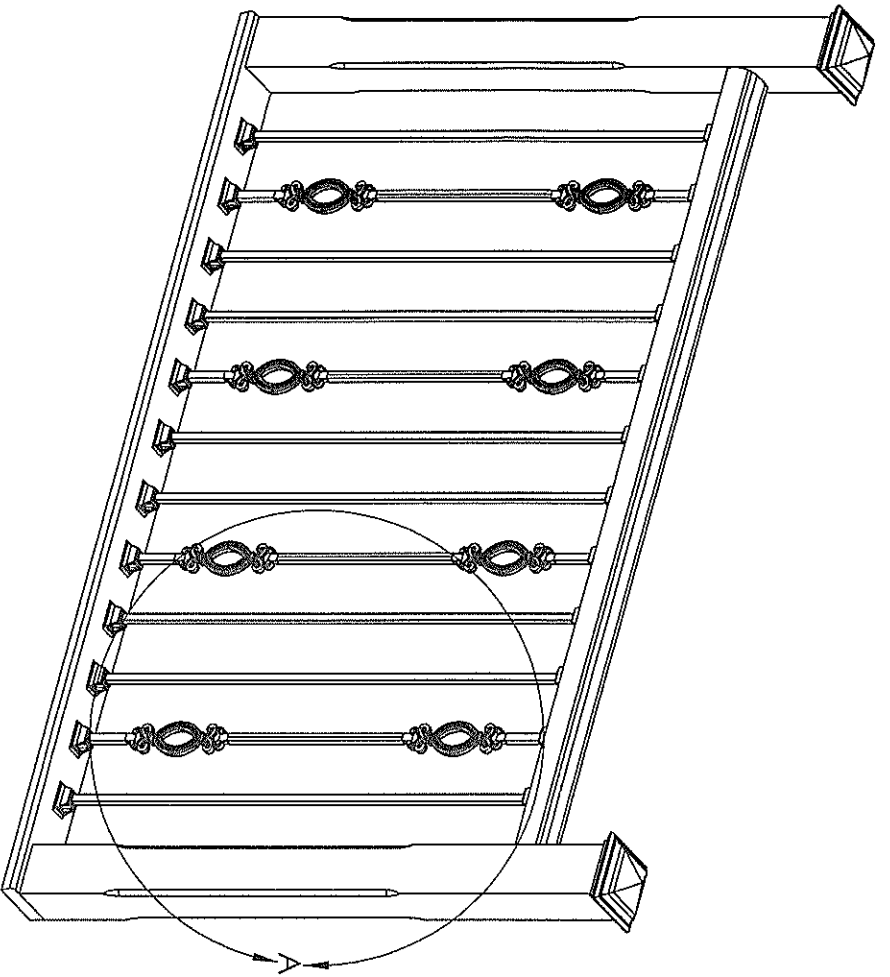
5

1

2

3

1



DETAIL A
SCALE 1 : 6
HAMMERED
FINISH

UNLESS OTHERWISE SPECIFIED:

DIMENSIONS ARE IN INCHES
TOLERANCES:
FRACTIONAL ±
ANGULAR: MACH ± BEND ±
TWO PLACE DECIMAL ±
THREE PLACE DECIMAL ±

INTERPRET GEOMETRIC
TOLERANCING PER:
MATERIAL

FINISH

DO NOT SCALE DRAWING

NAME DATE

TITLE:

PROPRIETARY AND CONFIDENTIAL
THE INFORMATION CONTAINED IN THIS
DRAWING IS THE SOLE PROPERTY OF
<INSERT COMPANY NAME HERE>. ANY
REPRODUCTION IN PART OR AS A WHOLE
WITHOUT THE WRITTEN PERMISSION OF
<INSERT COMPANY NAME HERE> IS
PROHIBITED.

NEXT ASSY

USED ON

APPLICATION

SIZE DWG. NO.

A Euroline 3B Double-3

REV

SCALE: 1:20 WEIGHT:

SHEET 2 OF 2

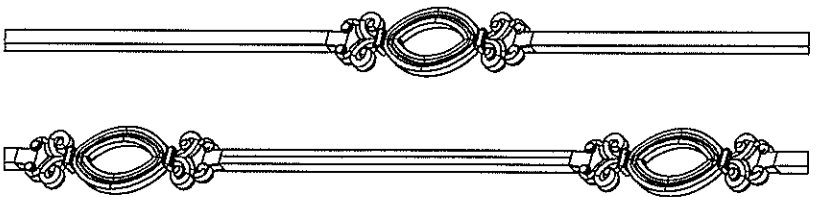
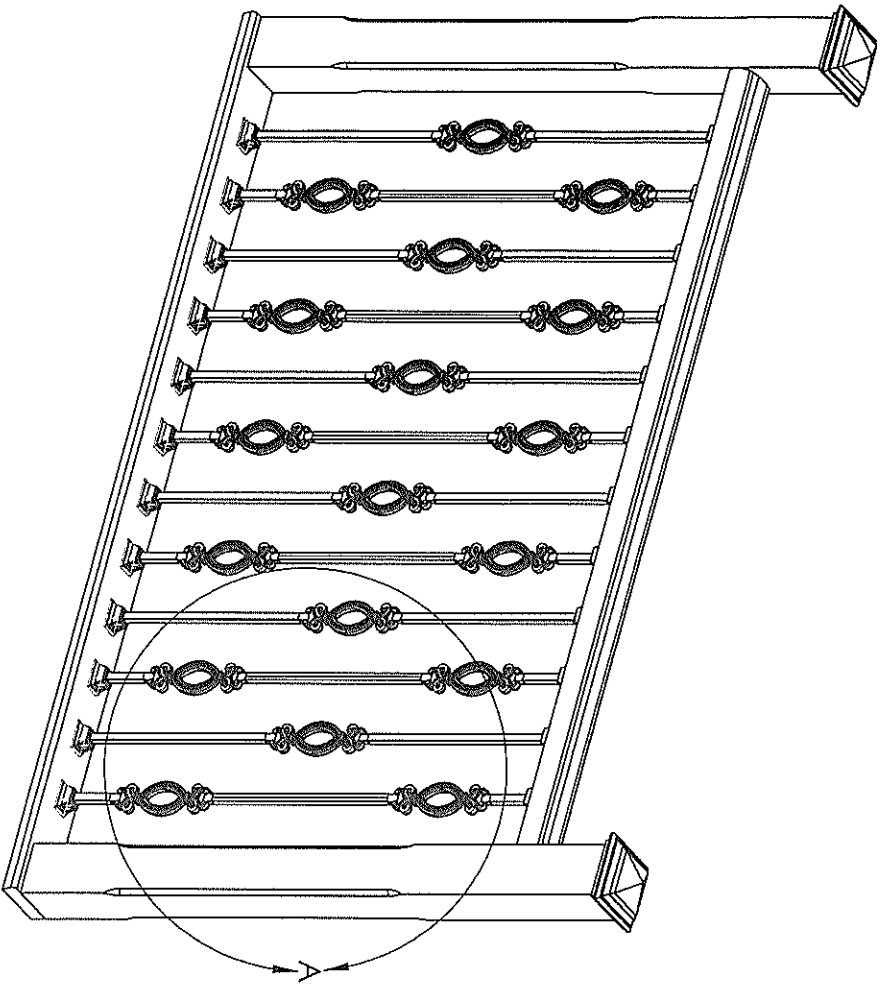
5

4

2

2

1



DETAIL A
SCALE 1 : 6
AWM RFD
FINISH

UNLESS OTHERWISE SPECIFIED:

DIMENSIONS ARE IN INCHES
TOLERANCES:
FRACTIONAL ±
ANGULAR: MACH ± BEND ±
TWO PLACE DECIMAL ±
THREE PLACE DECIMAL ±

INTERPRET GEOMETRIC
TOLERANCING PER:
MATERIAL

FINISH

DO NOT SCALE DRAWING

NAME DATE

TITLE:

PROPRIETARY AND CONFIDENTIAL
THE INFORMATION CONTAINED IN THIS
DRAWING IS THE SOLE PROPERTY OF
<INSERT COMPANY NAME HERE>. ANY
REPRODUCTION IN PART OR AS A WHOLE
WITHOUT THE WRITTEN PERMISSION OF
<INSERT COMPANY NAME HERE> IS
PROHIBITED.

NEXT ASSY

USED ON

APPLICATION

Q.A.
COMMENTS:

DRAWN
CHECKED
ENG APPR.
MFG APPR.

SIZE DWG. NO.

A Euroline 3B Double Alt-2

REV

SCALE: 1:20 WEIGHT:

SHEET 2 OF 2

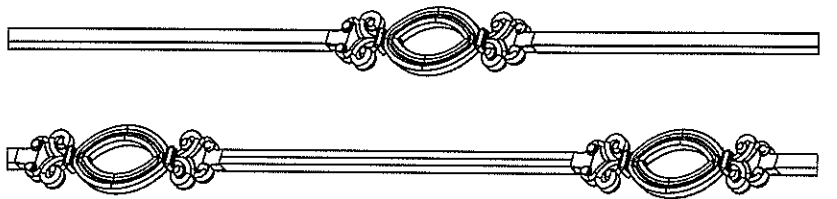
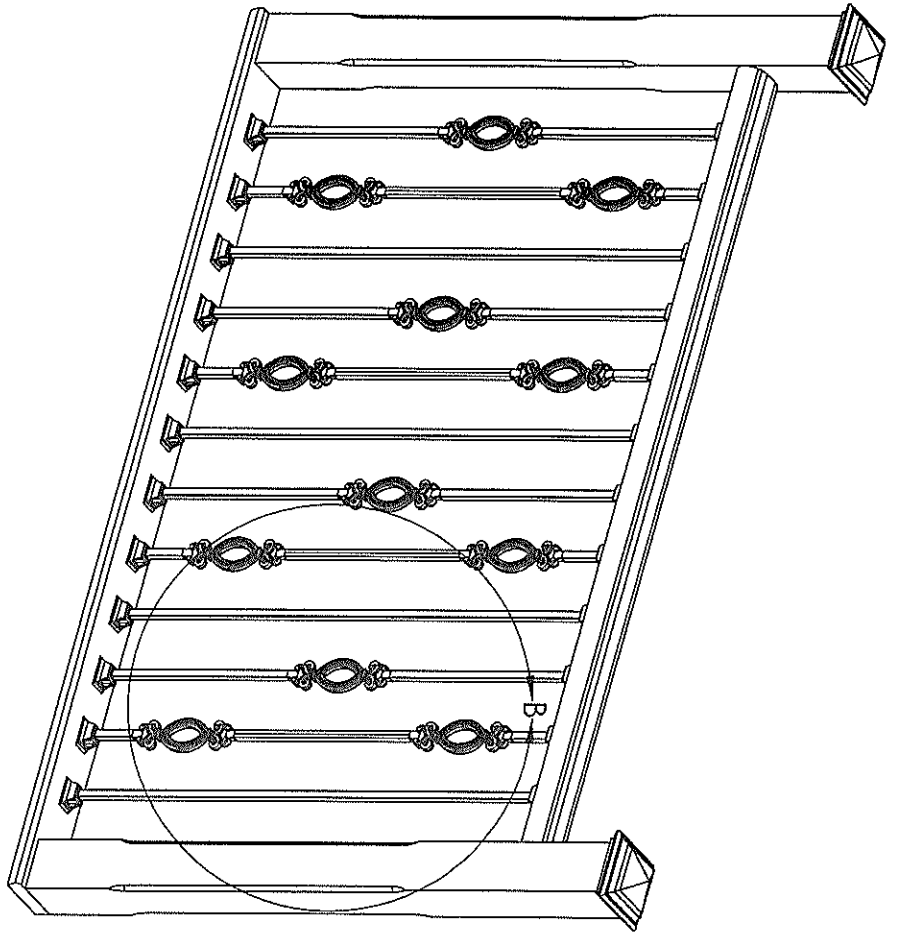
5

4

3

2

1



DETAIL B
SCALE 1 : 6
HAMM 6/26/0
FINISH

UNLESS OTHERWISE SPECIFIED:

DIMENSIONS ARE IN INCHES
TOLERANCES:
FRACTIONAL ±
ANGULAR: MACH ± BEND ±
TWO PLACE DECIMAL ±
THREE PLACE DECIMAL ±
INTERPRET GEOMETRIC
TOLERANCING PER:
MATERIAL
FINISH
DO NOT SCALE DRAWING

NAME DATE

TITLE:

SIZE DWG. NO.

A Euroline 3B Double A1-3

REV

PROPRIETARY AND CONFIDENTIAL
THE INFORMATION CONTAINED IN THIS
DRAWING IS THE SOLE PROPERTY OF
<INSERT COMPANY NAME HERE>. ANY
REPRODUCTION IN PART OR AS A WHOLE
WITHOUT THE WRITTEN PERMISSION OF
<INSERT COMPANY NAME HERE> IS
PROHIBITED.

NEXT ASSY

USED ON

APPLICATION

DO NOT SCALE DRAWING

5

4

3

2

1

SCALE: 1:20 WEIGHT:

SHEET 2 OF 2