

HAMMERED
FINISH

DETAIL A
SCALE 1 : 6

NAME DATE

TITLE:

UNLESS OTHERWISE SPECIFIED:

- DIMENSIONS ARE IN INCHES
- TOLERANCES:
- FRACTIONAL ±
- ANGULAR: MACH ±
- BEND ±
- TWO PLACE DECIMAL ±
- THREE PLACE DECIMAL ±
- DRAWN
- CHECKED
- ENG APPR.
- MFG APPR.
- INTERPRET GEOMETRIC TOLERANCING PER:
- Q.A.
- COMMENTS:

FINISH

NEXT ASSY

USED ON

APPLICATION

DO NOT SCALE DRAWING

PROPRIETARY AND CONFIDENTIAL
THE INFORMATION CONTAINED IN THIS
DRAWING IS THE SOLE PROPERTY OF
<INSERT COMPANY NAME HERE>. ANY
REPRODUCTION IN PART OR AS A WHOLE
WITHOUT THE WRITTEN PERMISSION OF
<INSERT COMPANY NAME HERE> IS
PROHIBITED.

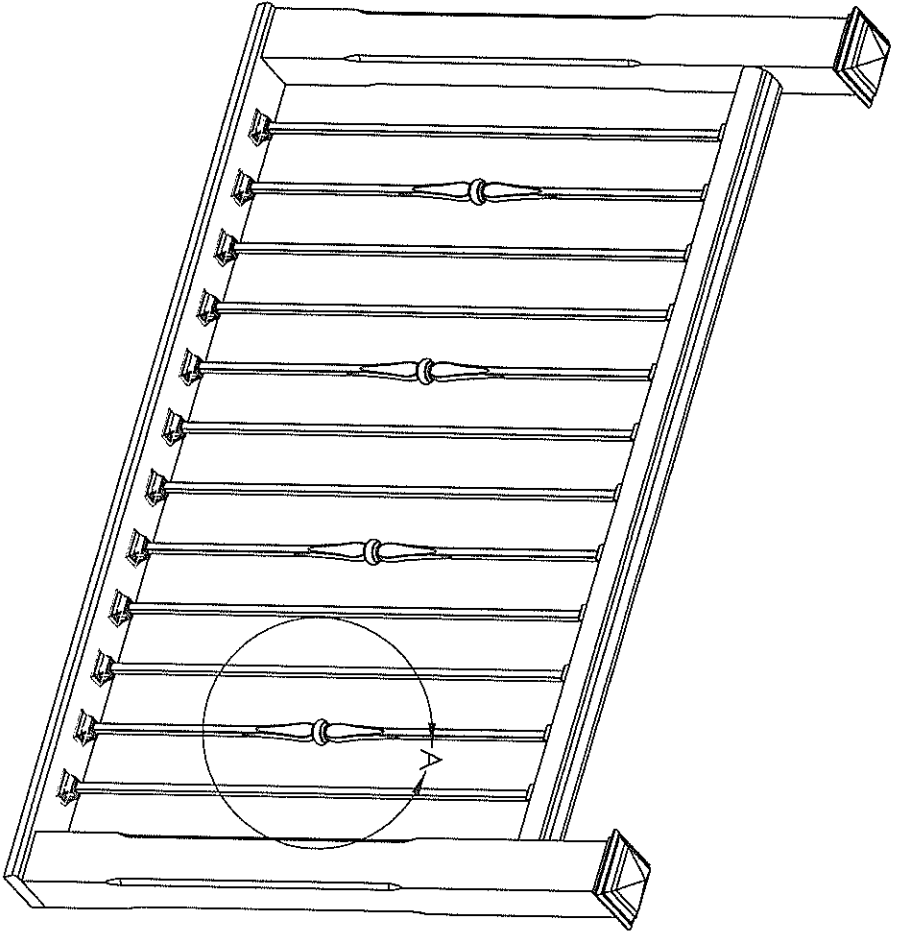
5

4

3

2

SIZE DWG. NO. REV
A Euroline 4-2
SCALE: 1:20 WEIGHT: SHEET 2 OF 2



DETAIL A
SCALE 1 : 6



HAMMERED
FINISH

UNLESS OTHERWISE SPECIFIED:

DIMENSIONS ARE IN INCHES
TOLERANCES:
FRACTIONAL ±
ANGULAR: MACH ± BEND ±
TWO PLACE DECIMAL ±
THREE PLACE DECIMAL ±

INTERPRET GEOMETRIC
TOLERANCING PER:
MATERIAL

FINISH

DO NOT SCALE DRAWING

NAME DATE

TITLE:

PROPRIETARY AND CONFIDENTIAL
THE INFORMATION CONTAINED IN THIS
DRAWING IS THE SOLE PROPERTY OF
<INSERT COMPANY NAME HERE>. ANY
REPRODUCTION IN PART OR AS A WHOLE
WITHOUT THE WRITTEN PERMISSION OF
<INSERT COMPANY NAME HERE> IS
PROHIBITED.

NEXT ASSY

APPLICATION

USED ON

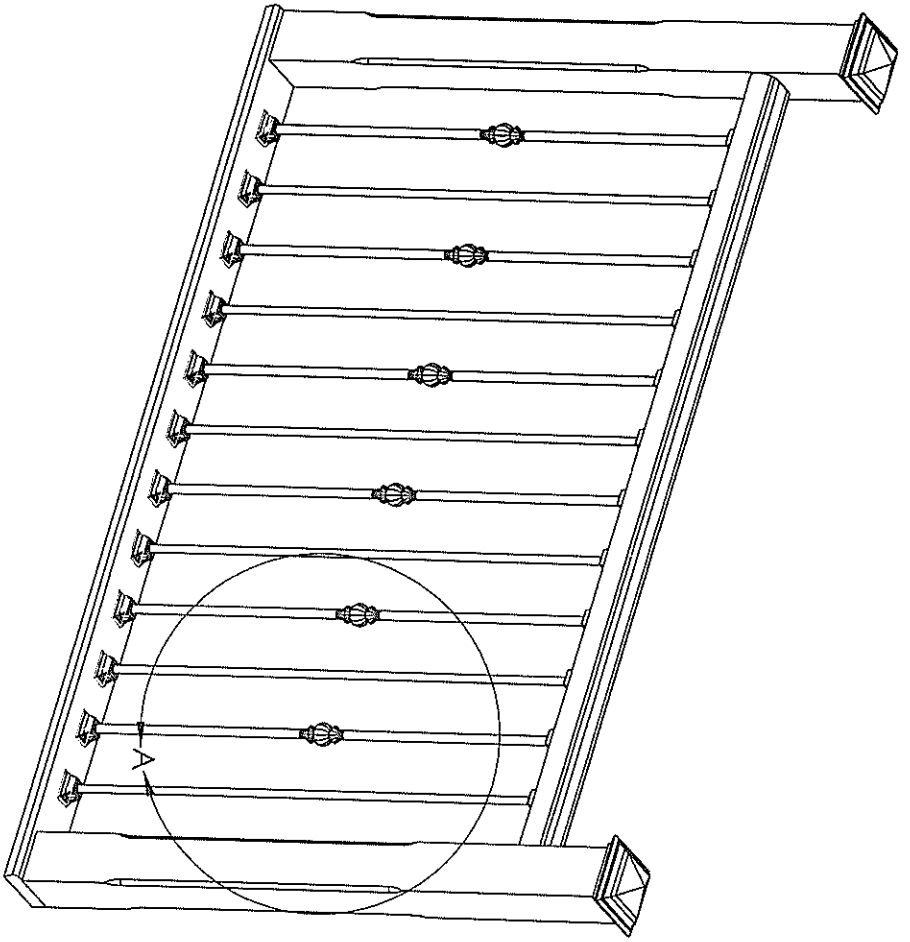
5

4

2

9

SIZE DWG. NO. REV
A Euroline 4-3
SCALE: 1:20 WEIGHT: SHEET 2 OF 3



DETAIL A
SCALE 1:6
HAMMERED
FINISH
ROUND BAR

UNLESS OTHERWISE SPECIFIED:

DIMENSIONS ARE IN INCHES
TOLERANCES:
FRACTIONAL ±
ANGULAR: MATCH BEND ±
TWO PLACE DECIMAL ±
THREE PLACE DECIMAL ±

DRAWN
CHECKED
ENG APPR.
MFG APPR.
Q.A.
COMMENTS:

NAME DATE

TITLE:

PROPRIETARY AND CONFIDENTIAL
THE INFORMATION CONTAINED IN THIS
DRAWING IS THE SOLE PROPERTY OF
<INSERT COMPANY NAME HERE>. ANY
REPRODUCTION IN PART OR AS A WHOLE
WITHOUT THE WRITTEN PERMISSION OF
<INSERT COMPANY NAME HERE> IS
PROHIBITED.

NEXT ASSY

USED ON

FINISH

APPLICATION

DO NOT SCALE DRAWING

5

1

2

9

SIZE DWG. NO.

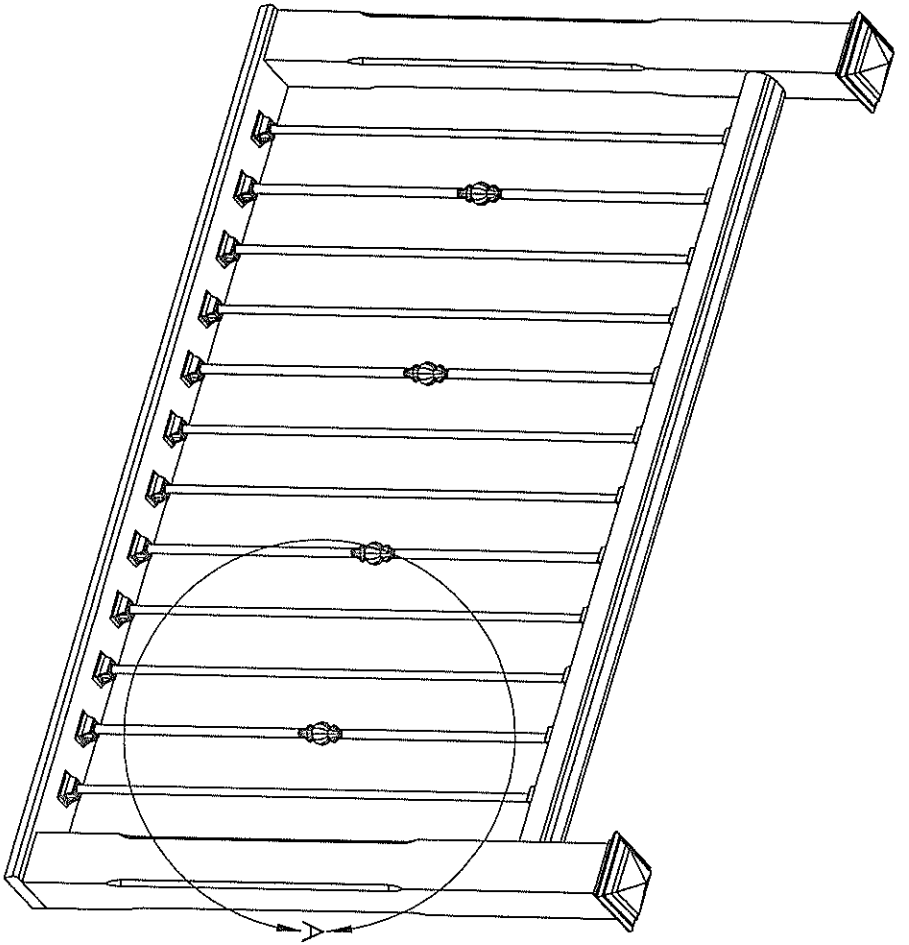
A Euroline 5-2

REV

SCALE: 1:20 WEIGHT:

SHEET 2 OF 2

1



DETAIL A
SCALE 1:6
NANNESKO FINISH
ROUND BAR

UNLESS OTHERWISE SPECIFIED:

DIMENSIONS ARE IN INCHES
TOLERANCES:
FRACTIONAL ±
ANGULAR: MA CH ± BEND ±
TWO PLACE DECIMAL ±
THREE PLACE DECIMAL ±
INTERPRET GEOMETRIC
TOLERANCING PER:
MATERIAL
FINISH
DO NOT SCALE DRAWING

NAME DATE

TITLE:

PROPRIETARY AND CONFIDENTIAL
THE INFORMATION CONTAINED IN THIS
DRAWING IS THE SOLE PROPERTY OF
<INSERT COMPANY NAME HERE>. ANY
REPRODUCTION IN PART OR AS A WHOLE
WITHOUT THE WRITTEN PERMISSION OF
<INSERT COMPANY NAME HERE> IS
PROHIBITED.

NEXT ASSY

USED ON

FINISH

APPLICATION

DO NOT SCALE DRAWING

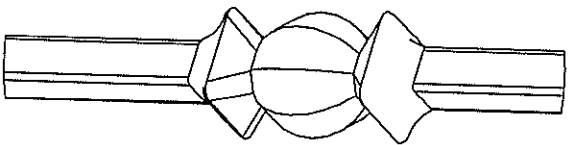
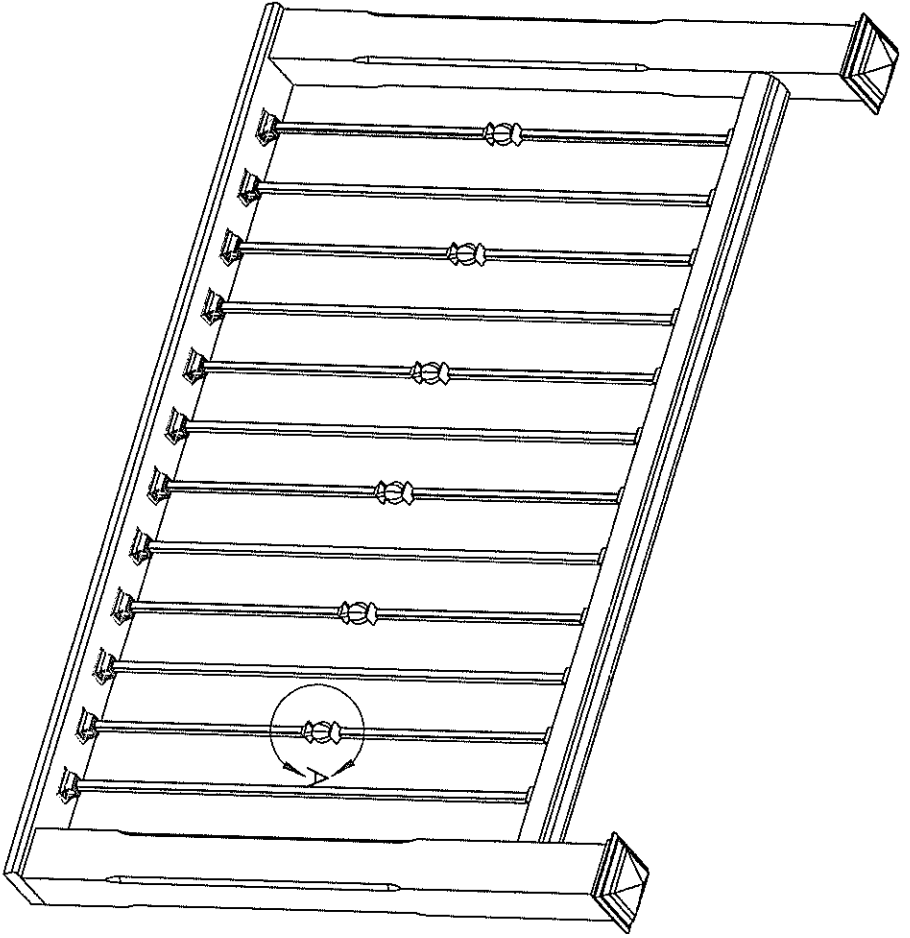
1

1

2

3

SIZE DWG. NO. REV
A Euroline 5-3
SCALE: 1:20 WEIGHT: SHEET 2 OF 3



DETAIL A
SCALE 1:2

PAINTED FINISH

NAME DATE

TITLE:

UNLESS OTHERWISE SPECIFIED:

DIMENSIONS ARE IN INCHES
TOLERANCES:
FRACTIONAL ±
ANGULAR: MACH ± BEND ±
TWO PLACE DECIMAL ±
THREE PLACE DECIMAL ±

DRAWN
CHECKED
ENG APPR.
MFG APPR.
Q.A.
COMMENTS:

INTERPRET GEOMETRIC
TOLERANCING PER:
MATERIAL

FINISH

NEXT ASSY

USED ON

FINISH

APPLICATION

DO NOT SCALE DRAWING

PROPRIETARY AND CONFIDENTIAL
THE INFORMATION CONTAINED IN THIS
DRAWING IS THE SOLE PROPERTY OF
<INSERT COMPANY NAME HERE>. ANY
REPRODUCTION IN PART OR AS A WHOLE
WITHOUT THE WRITTEN PERMISSION OF
<INSERT COMPANY NAME HERE> IS
PROHIBITED.

5

4

3

2

SIZE DWG. NO.

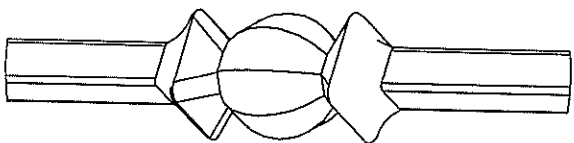
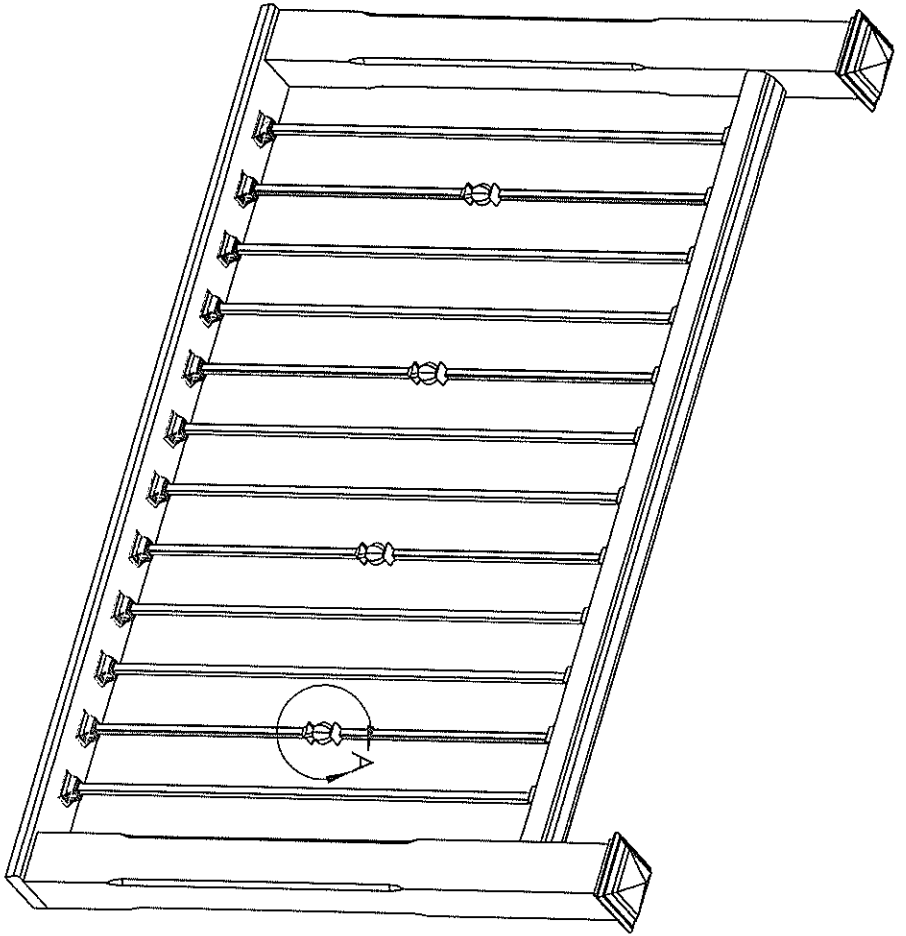
A Euroline 6-2

REV

SCALE: 1:20 WEIGHT:

SHEET 2 OF 2

1



DETAIL A
SCALE 1:2
HANDRAIL FINISH

NAME DATE

TITLE:

UNLESS OTHERWISE SPECIFIED:

DIMENSIONS ARE IN INCHES
TOLERANCES:
FRACTIONAL ±
ANGULAR: MACH ± BEND ±
TWO PLACE DECIMAL ±
THREE PLACE DECIMAL ±
INTERPRET GEOMETRIC
TOLERANCING PER
MATERIAL
Q.A.
COMMENTS:

DRAWN

CHECKED

ENG APPR.

MFG APPR.

Q.A.

COMMENTS:

FINISH

NEXT ASSY

USED ON

APPLICATION

DO NOT SCALE DRAWING

PROPRIETARY AND CONFIDENTIAL
THE INFORMATION CONTAINED IN THIS
DRAWING IS THE SOLE PROPERTY OF
<INSERT COMPANY NAME HERE>. ANY
REPRODUCTION IN PART OR AS A WHOLE
WITHOUT THE WRITTEN PERMISSION OF
<INSERT COMPANY NAME HERE> IS
PROHIBITED.

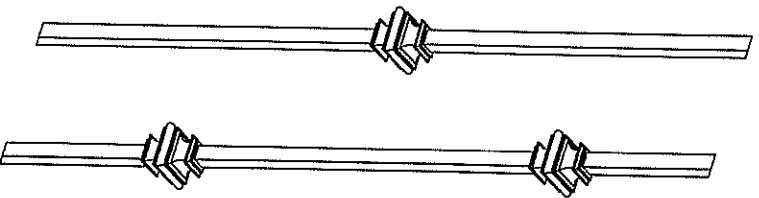
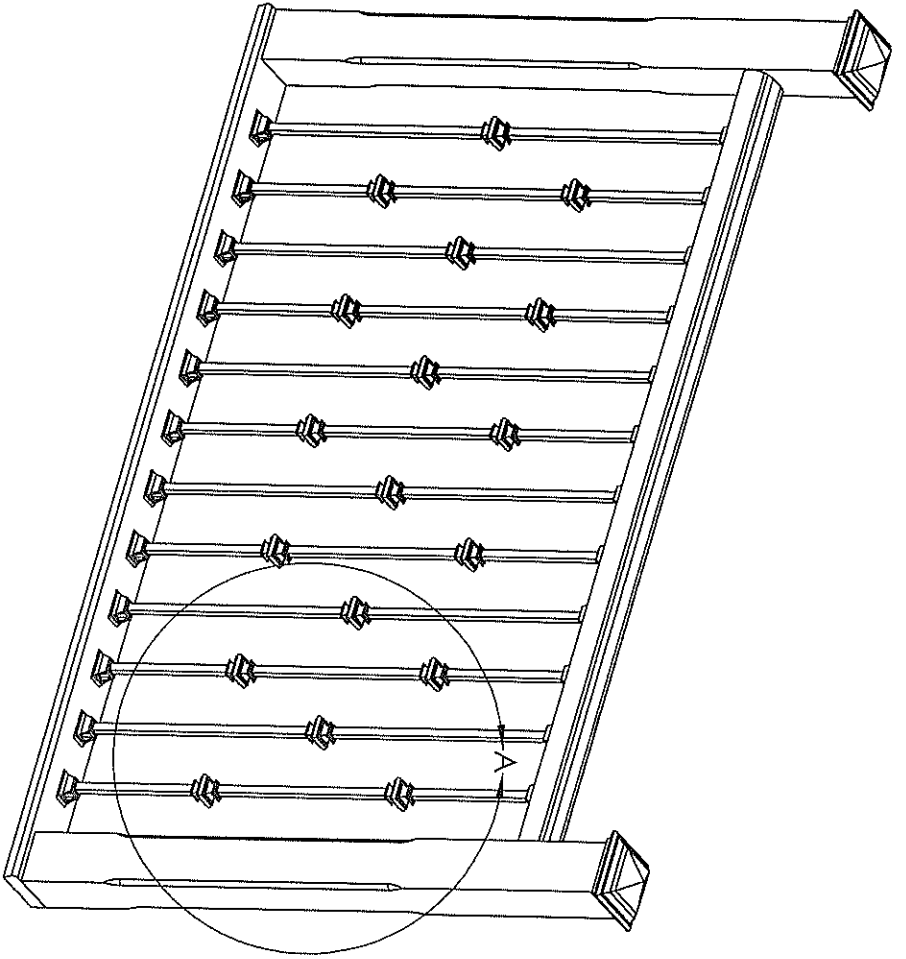
SIZE DWG. NO.

A Euroline 6-3

REV

SCALE: 1:20 WEIGHT:

SHEET 2 OF 2



DETAIL A
SCALE 1 : 6

UNLESS OTHERWISE SPECIFIED:

- DIMENSIONS ARE IN INCHES
- TOLERANCES:
- FRACTIONAL ±
- ANGULAR: MACH ± BEND ±
- TWO PLACE DECIMAL ±
- THREE PLACE DECIMAL ±
- INTERPRET GEOMETRIC TOLERANCING PER: Q.A.
- MATERIAL: COMMENTS:
- FINISH

NAME DATE

TITLE:

PROPRIETARY AND CONFIDENTIAL
THE INFORMATION CONTAINED IN THIS
DRAWING IS THE SOLE PROPERTY OF
<INSERT COMPANY NAME HERE>. ANY
REPRODUCTION IN PART OR AS A WHOLE
WITHOUT THE WRITTEN PERMISSION OF
<INSERT COMPANY NAME HERE> IS
PROHIBITED.

NEXT ASSY

USED ON

FINISH

APPLICATION

DO NOT SCALE DRAWING

5

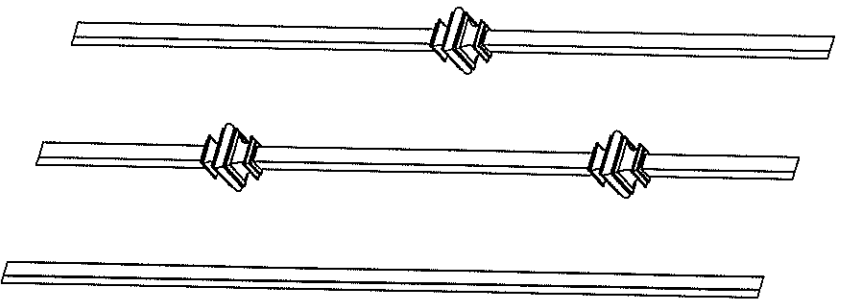
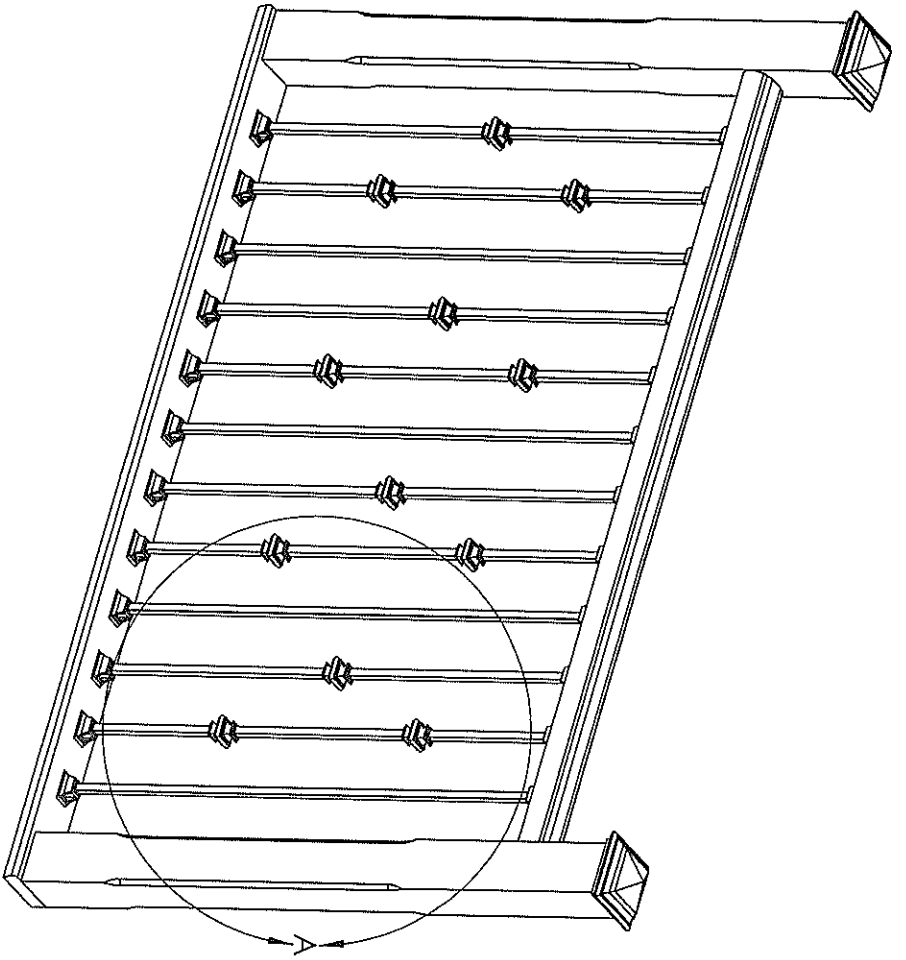
1

2

9

1

SIZE DWG. NO. REV
A R-5-2
 SCALE: 1:20 WEIGHT: SHEET 2 OF 2



DETAIL A
SCALE 1 : 6

UNLESS OTHERWISE SPECIFIED:

- DIMENSIONS ARE IN INCHES
- TOLERANCES:
- FRACTIONAL ±
- ANGULAR: MACH ± BEND ±
- TWO PLACE DECIMAL ±
- THREE PLACE DECIMAL ±
- INTERPRET GEOMETRIC TOLERANCING PER MATERIAL
- FINISH

- DRAWN
- CHECKED
- ENG APPR.
- MFG APPR.
- Q.A.
- COMMENTS:

NAME

DATE

TITLE:

PROPRIETARY AND CONFIDENTIAL
THE INFORMATION CONTAINED IN THIS DRAWING IS THE SOLE PROPERTY OF <INSERT COMPANY NAME HERE>. ANY REPRODUCTION IN PART OR AS A WHOLE WITHOUT THE WRITTEN PERMISSION OF <INSERT COMPANY NAME HERE> IS PROHIBITED.

NEXT ASSY

USED ON

FINISH

APPLICATION

DO NOT SCALE DRAWING

5

4

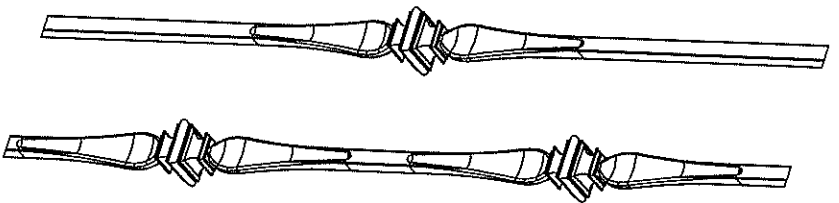
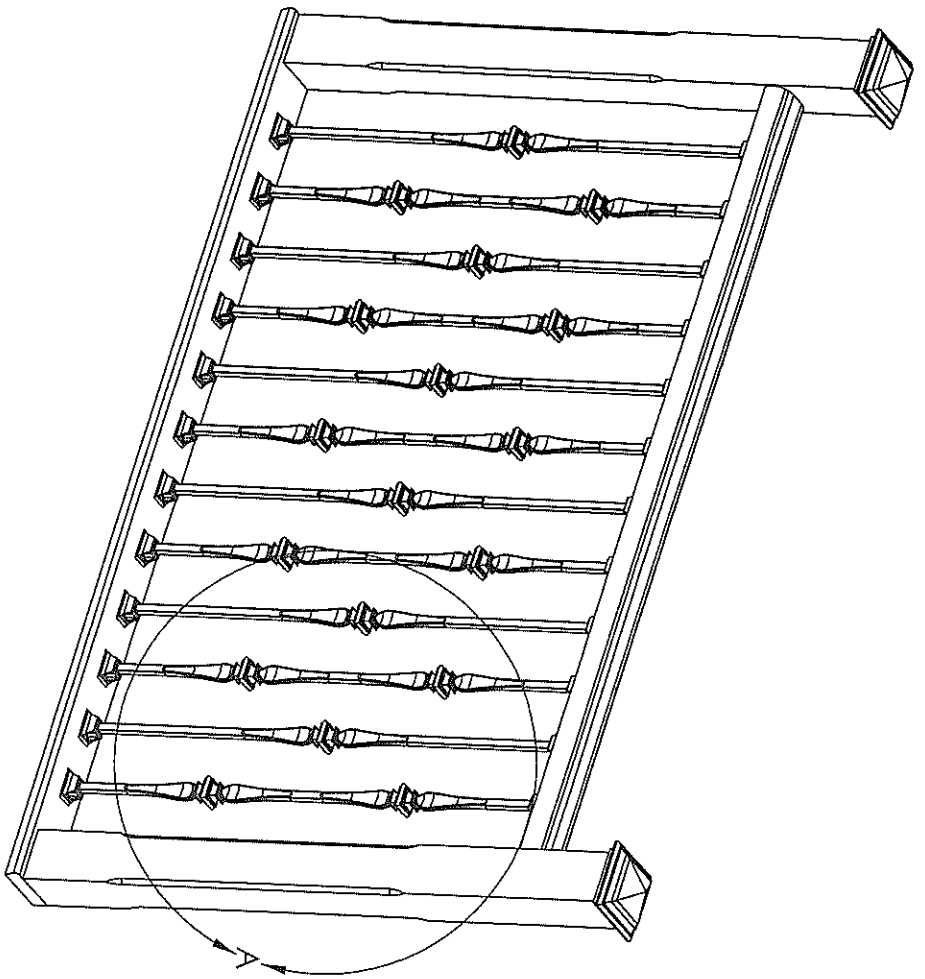
2

9

SIZE DWG. NO. **A R-5-3**

SCALE: 1:20 WEIGHT: SHEET 2 OF 1

REV



DETAIL A
SCALE 1 : 6

UNLESS OTHERWISE SPECIFIED:

- DIMENSIONS ARE IN INCHES
- TOLERANCES:
- FRACTIONAL ±
- ANGULAR: MACH ± BEND ±
- TWO PLACE DECIMAL ±
- THREE PLACE DECIMAL ±
- INTERPRET GEOMETRIC TOLERANCING PER MATERIAL
- FINISH

- DRAWN
- CHECKED
- ENG APPR.
- MFG APPR.
- Q.A.
- COMMENTS:

NAME DATE

TITLE:

PROPRIETARY AND CONFIDENTIAL
THE INFORMATION CONTAINED IN THIS
DRAWING IS THE SOLE PROPERTY OF
INSERT COMPANY NAME HERE. ANY
REPRODUCTION IN PART OR AS A WHOLE
WITHOUT THE WRITTEN PERMISSION OF
INSERT COMPANY NAME HERE IS
PROHIBITED.

NEXT ASSY

APPLICATION

USED ON

DO NOT SCALE DRAWING

5

4

2

9

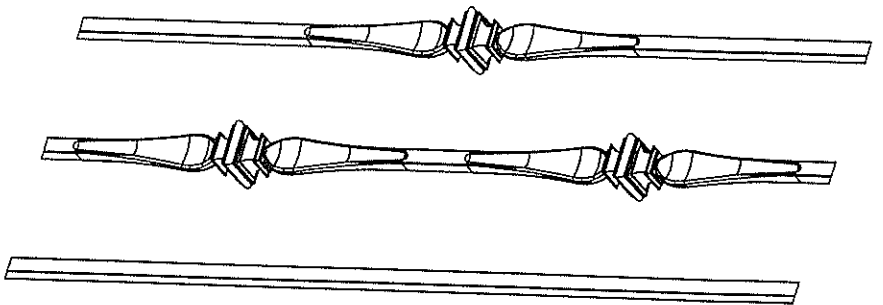
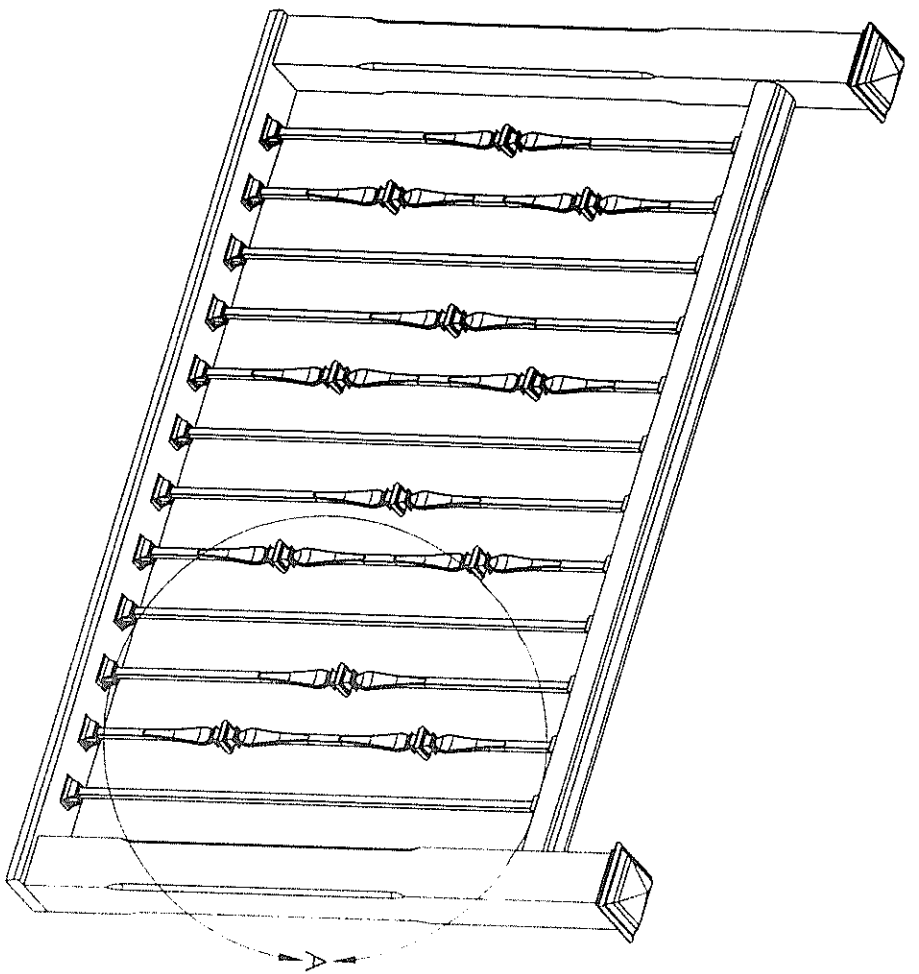
SIZE DWG. NO.

A R-6-2

REV

SCALE: 1:20 WEIGHT:

SHEET 2 OF 2



DETAIL A
SCALE 1 : 6

UNLESS OTHERWISE SPECIFIED

DIMENSIONS ARE IN INCHES
FRACTIONS
ANGULAR MATCHES BENDS
TWO PLACE DECIMAL
THREE PLACE DECIMAL
FINISHES
MATERIALS
COMMENTS

NAME DATE

TITLE:

PROPRIETARY AND CONFIDENTIAL
THE INFORMATION CONTAINED IN THIS
DRAWING IS THE SOLE PROPERTY OF
SUSSEX COMPANY NAME HERE. ANY
REPRODUCTION IN PART OR AS A WHOLE
WITHOUT THE WRITTEN PERMISSION OF
SUSSEX COMPANY NAME HERE IS
PROHIBITED.

REVISION

DATE

BY

APPROVED FOR DRAWING

1

4

2

2

SIZE DWG. NO. REV
A R-6-3
SCALE: 1:20 WEIGHT: SHEET 2 OF 2