

NAME _____ DATE _____

UNLESS OTHERWISE SPECIFIED:

- DIMENSIONS ARE IN INCHES
- TOLERANCES:
- FRACTIONAL ±
- ANGULAR MATCH ± BEND ±
- TWO PLACE DECIMAL ±
- THREE PLACE DECIMAL ±
- INTERPRET GEOMETRIC TOLERANCING PER ASME Y14.5
- Q.A. COMMENTS:
- MATERIAL
- FINISH

TITLE:

Euroline Contemporary

1-2

SIZE DWG. NO.

A

REV

SCALE: 1:20 WEIGHT:

SHEET 1 OF 1

APPLICATION

NEXT ASSY

USED ON

PROPRIETARY AND CONFIDENTIAL
 THE INFORMATION CONTAINED IN THIS
 DRAWING IS THE SOLE PROPERTY OF
 <INSERT COMPANY NAME HERE> ANY
 REPRODUCTION IN PART OR AS A WHOLE
 WITHOUT THE WRITTEN PERMISSION OF
 <INSERT COMPANY NAME HERE> IS
 PROHIBITED

DO NOT SCALE DRAWING

A

B

2

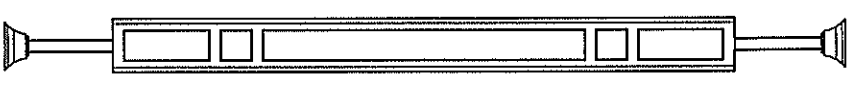
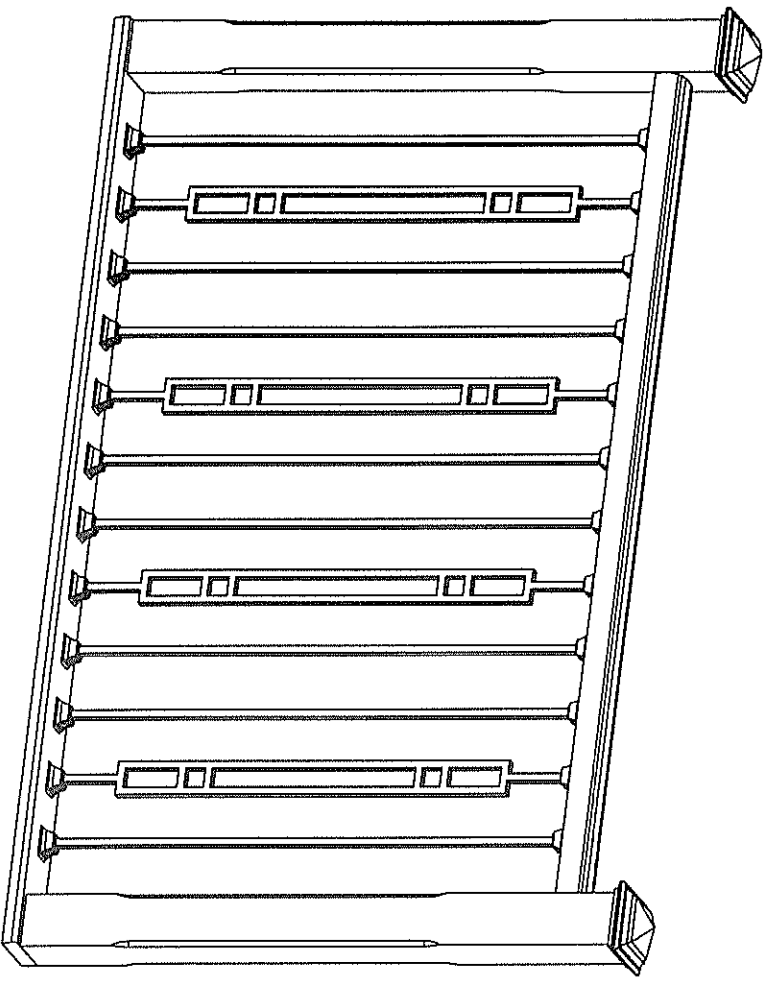
1

2

1

3

2



A

B

A

B

UNLESS OTHERWISE SPECIFIED:

DIMENSIONS ARE IN INCHES
 TOLERANCES:
 FRACTIONAL ±
 ANGULAR: MACH ± BEND ±
 TWO PLACE DECIMAL ±
 THREE PLACE DECIMAL ±

INTERPRET GEOMETRIC
 TOLERANCING PER:
 MATERIAL

FINISH

NEXT ASSY

USED ON

APPLICATION

DO NOT SCALE DRAWING

NAME DATE

DRAWN

CHECKED

ENG APPR.

MFG APPR.

Q.A.

COMMENTS:

TITLE:

Euroline Contemporary
1-3

SIZE DWG. NO.

A

REV

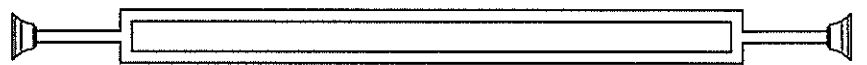
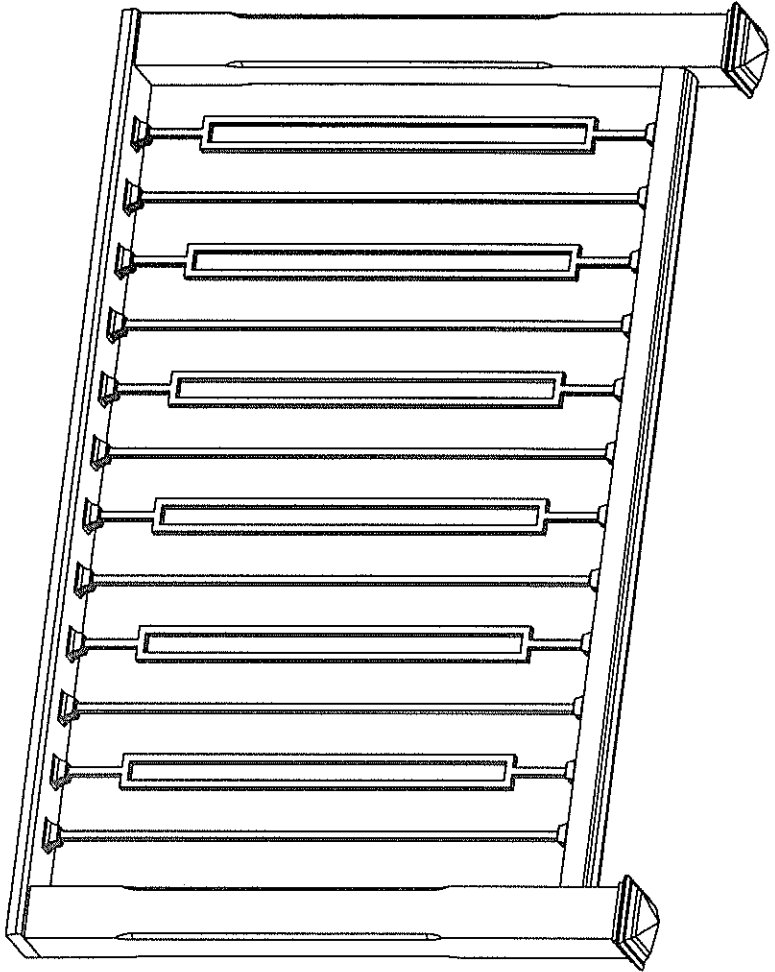
SCALE: 1:20 WEIGHT:

SHEET 1 OF 1

PROPRIETARY AND CONFIDENTIAL
 THE INFORMATION CONTAINED IN THIS
 DRAWING IS THE SOLE PROPERTY OF
 <INSERT COMPANY NAME HERE>. ANY
 REPRODUCTION IN PART OR AS A WHOLE
 WITHOUT THE WRITTEN PERMISSION OF
 <INSERT COMPANY NAME HERE> IS
 PROHIBITED.

2

1



UNLESS OTHERWISE SPECIFIED:

DIMENSIONS ARE IN INCHES

TOLERANCES:

FRACTIONAL ±

ANGULAR: MACH ± BEND ±

TWO PLACE DECIMAL ±

THREE PLACE DECIMAL ±

INTERPRET GEOMETRIC TOLERANCING PER:

MATERIAL

FINISH

DO NOT SCALE DRAWING

NAME DATE

DRAWN

CHECKED

ENG APPR.

MFG APPR.

O.A.

COMMENTS:

INTERPRET GEOMETRIC TOLERANCING PER:

MATERIAL

FINISH

DO NOT SCALE DRAWING

TITLE:

Euroline Contemporary

2-2

SIZE

DWG. NO.

REV

A

SCALE: 1:20 WEIGHT:

SHEET 1 OF 1

PROPRIETARY AND CONFIDENTIAL
 THE INFORMATION CONTAINED IN THIS
 DRAWING IS THE SOLE PROPERTY OF
 <INSERT COMPANY NAME HERE>. ANY
 REPRODUCTION IN PART OR AS A WHOLE
 WITHOUT THE WRITTEN PERMISSION OF
 <INSERT COMPANY NAME HERE> IS
 PROHIBITED.

NEXT ASSY

USED ON

APPLICATION

2

1

A

B

A

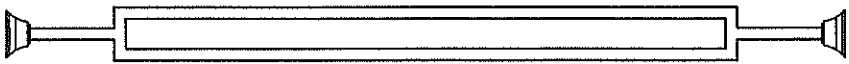
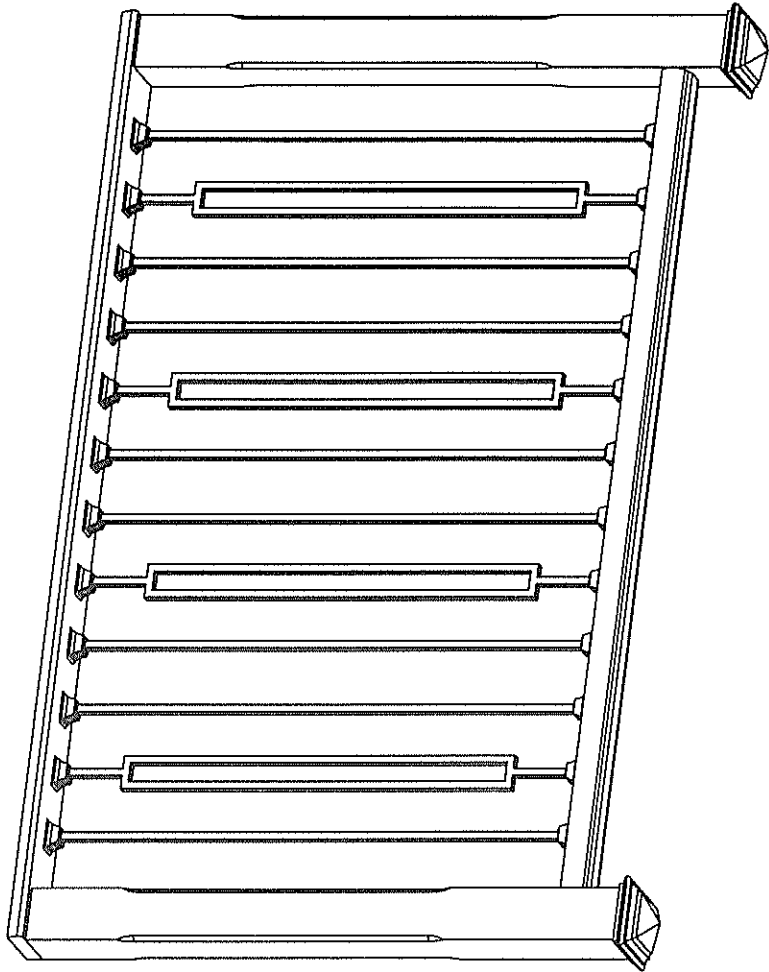
B

2

1

2

1



3

B

A

A

PROPRIETARY AND CONFIDENTIAL
 THE INFORMATION CONTAINED IN THIS
 DRAWING IS THE SOLE PROPERTY OF
 INSERT COMPANY NAME HERE. ANY
 REPRODUCTION IN PART OR AS A WHOLE
 WITHOUT THE WRITTEN PERMISSION OF
 INSERT COMPANY NAME HERE IS
 PROHIBITED.

NEXT ASSY
 USED ON
 FINISH
 APPLICATION

UNLESS OTHERWISE SPECIFIED:
 DIMENSIONS ARE IN INCHES
 TOLERANCES:
 FRACTIONAL ±
 ANGULAR: MACH ± BEND ±
 TWO PLACE DECIMAL ±
 THREE PLACE DECIMAL ±
 INTERPRET GEOMETRIC
 TOLERANCING PER:
 MATERIAL
 FINISH
 COMMENTS:
 Q.A.
 DO NOT SCALE DRAWING

NAME DATE

TITLE:

Euroline Contemporary
2-3

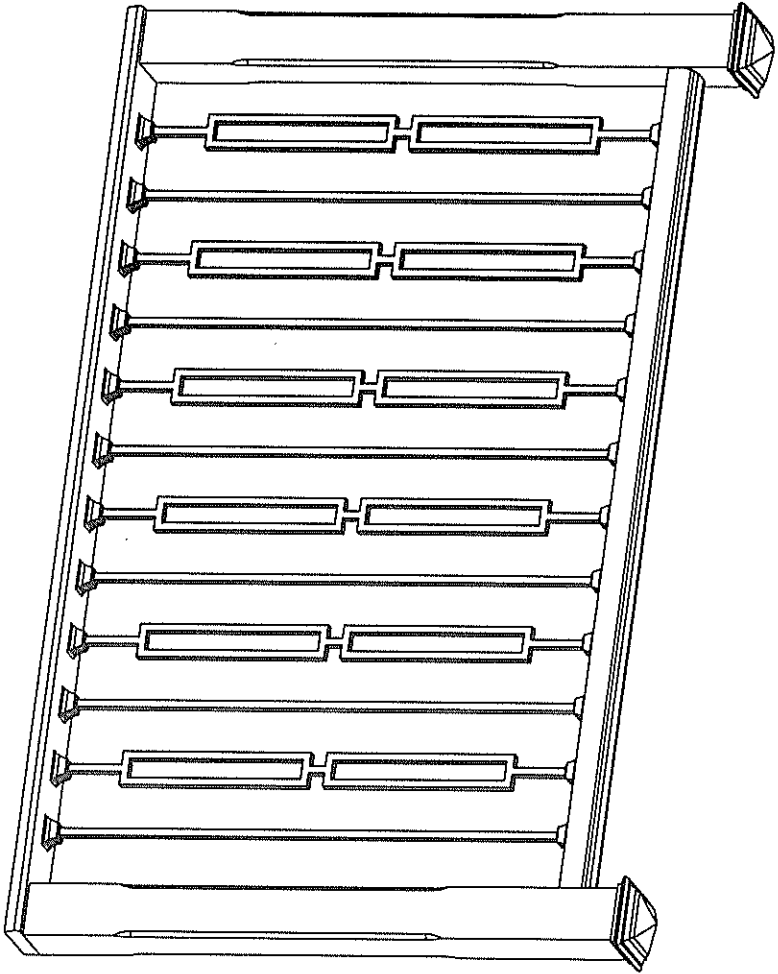
SIZE DWG. NO. REV

A

SCALE: 1:20 WEIGHT: SHEET 1 OF 1

2

1



UNLESS OTHERWISE SPECIFIED:

DIMENSIONS ARE IN INCHES
 TOLERANCES:
 FRACTIONAL: ±
 ANGULAR: MACH ± BEND ±
 TWO PLACE DECIMAL ±
 THREE PLACE DECIMAL ±
 INTERPRET GEOMETRIC
 TOLERANCING PER:
 MATERIAL: Q.A.
 COMMENTS:

NAME DATE

DRAWN

CHECKED

ENG APPR.

MFG APPR.

Q.A.

COMMENTS:

TITLE:

Euroline Contemporary
3-2

SIZE DWG. NO.

A

REV

SCALE: 1:20 WEIGHT:

SHEET 1 OF 1

PROPRIETARY AND CONFIDENTIAL
 THE INFORMATION CONTAINED IN THIS
 DRAWING IS THE SOLE PROPERTY OF
 <INSERT COMPANY NAME HERE>. ANY
 REPRODUCTION IN PART OR AS A WHOLE
 WITHOUT THE WRITTEN PERMISSION OF
 <INSERT COMPANY NAME HERE> IS
 PROHIBITED.

NEXT ASSY

USED ON

FINISH

APPLICATION

DO NOT SCALE DRAWING

A

B

A

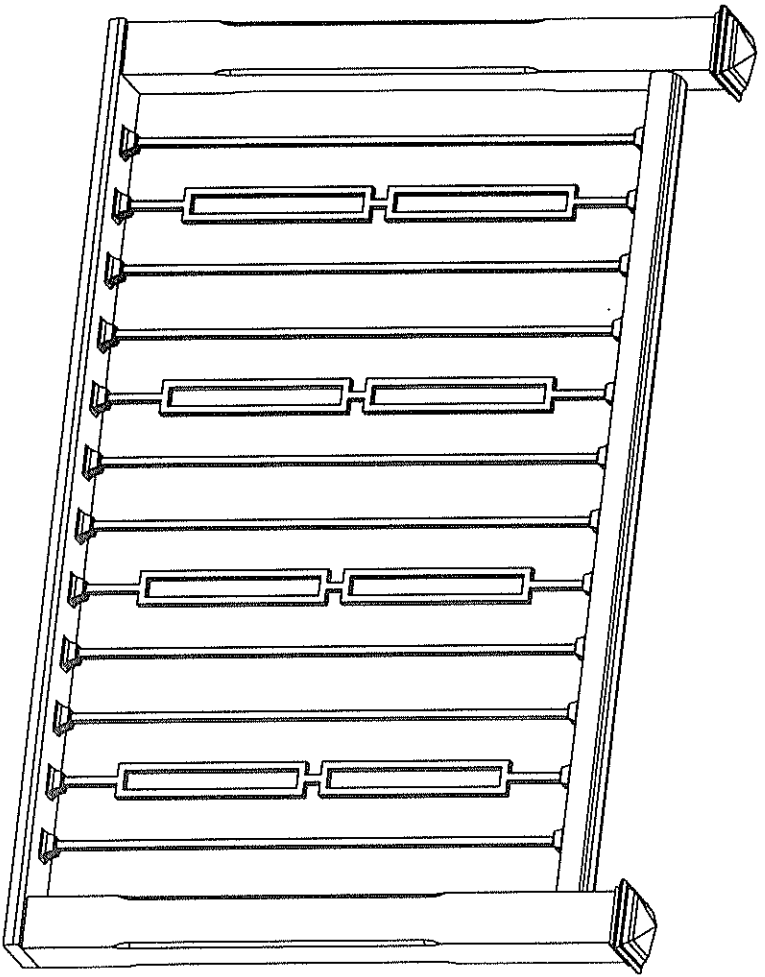
B

2

1

2

1



PROPRIETARY AND CONFIDENTIAL
 THE INFORMATION CONTAINED IN THIS
 DRAWING IS THE SOLE PROPERTY OF
 <INSERT COMPANY NAME HERE>. ANY
 REPRODUCTION IN PART OR AS A WHOLE
 WITHOUT THE WRITTEN PERMISSION OF
 <INSERT COMPANY NAME HERE> IS
 PROHIBITED

NEXT ASSY

APPLICATION

USED ON

DO NOT SCALE DRAWING

UNLESS OTHERWISE SPECIFIED:

DIMENSIONS ARE IN INCHES
 TOLERANCES:
 FRACTIONAL ±
 ANGULAR MACH ± BEND ±
 TWO PLACE DECIMAL ±
 THREE PLACE DECIMAL ±

FINISH

INTERPRET GEOMETRIC
 TOLERANCING PER:
 MATERIAL

Q.A.
 COMMENTS:

DRAWN

CHECKED

ENG APPR.

MEG APPR.

NAME DATE

TITLE:

Euroline Contemporary
3-3

SIZE

DWG. NO.

REV

A

SCALE: 1:20 WEIGHT:

SHEET 1 OF 1

A

B

2

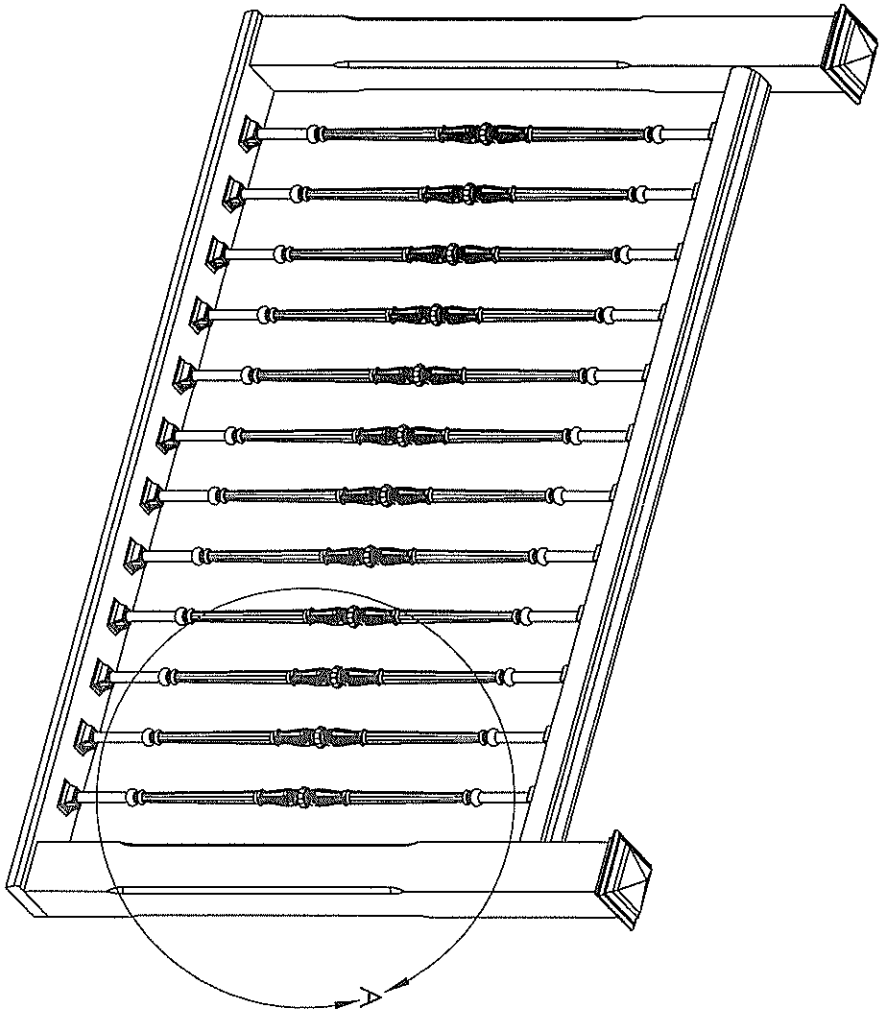
1

3

A

2

1



DETAIL A
SCALE 1 : 6

UNLESS OTHERWISE SPECIFIED:

- DIMENSIONS ARE IN INCHES
- TOLERANCES:
- FRACTIONAL ±
- ANGULAR: MACH ± BEND ±
- TWO PLACE DECIMAL ±
- THREE PLACE DECIMAL ±
- INTERPRET GEOMETRIC TOLERANCING PER: Q.A.
- MATERIAL COMMENTS:
- FINISH

NAME DATE

TITLE:

PROPRIETARY AND CONFIDENTIAL
THE INFORMATION CONTAINED IN THIS DRAWING IS THE SOLE PROPERTY OF <INSERT COMPANY NAME HERE>. ANY REPRODUCTION IN PART OR AS A WHOLE WITHOUT THE WRITTEN PERMISSION OF <INSERT COMPANY NAME HERE> IS PROHIBITED.

NEXT ASSY

USED ON

APPLICATION

DO NOT SCALE DRAWING

SIZE DWG. NO. REV

A Victorian 2+3

SCALE: 1:20 WEIGHT: SHEET 2 OF 2

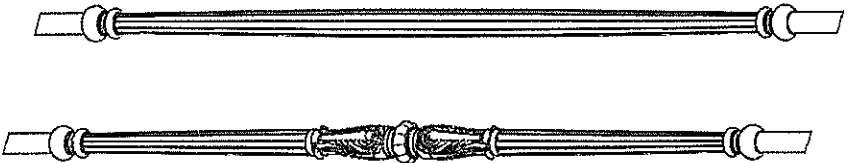
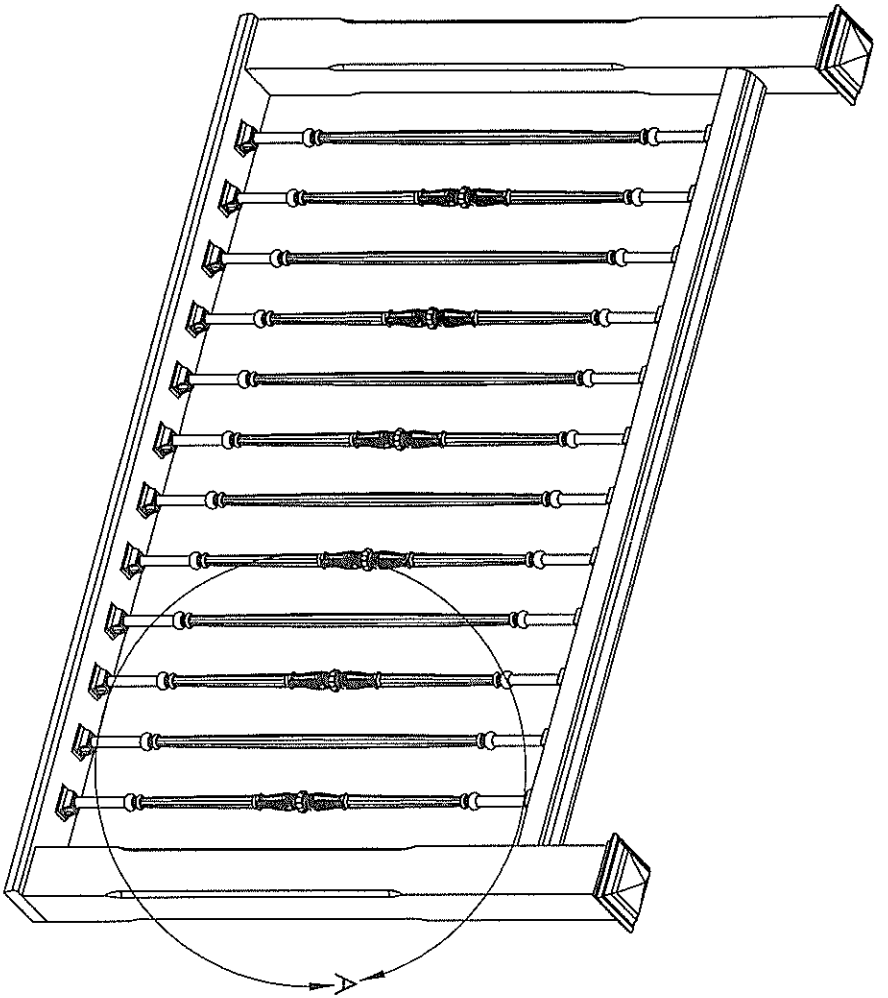
5

4

2

9

1



DETAIL A
SCALE 1 : 6

UNLESS OTHERWISE SPECIFIED:

- DIMENSIONS ARE IN INCHES
- TOLERANCES:
- FRACTIONAL ±
- ANGULAR: MACH ± BEND ±
- TWO PLACE DECIMAL ±
- THREE PLACE DECIMAL ±

NAME DATE

TITLE:

- INTERPRET GEOMETRIC
- TOLERANCING PER:
- MATERIAL
- FINISH
- DO NOT SCALE DRAWING

- DRAWN
- CHECKED
- ENG APPR.
- MFG APPR.
- Q.A.
- COMMENTS:

PROPRIETARY AND CONFIDENTIAL

THE INFORMATION CONTAINED IN THIS DRAWING IS THE SOLE PROPERTY OF <INSERT COMPANY NAME HERE>. ANY REPRODUCTION IN PART OR AS A WHOLE WITHOUT THE WRITTEN PERMISSION OF <INSERT COMPANY NAME HERE> IS PROHIBITED.

NEXT ASSY

USED ON

FINISH

APPLICATION

DO NOT SCALE DRAWING

SIZE DWG. NO.

A Victorian Alt-2

REV

SCALE: 1:20 WEIGHT:

SHEET 2 OF 4

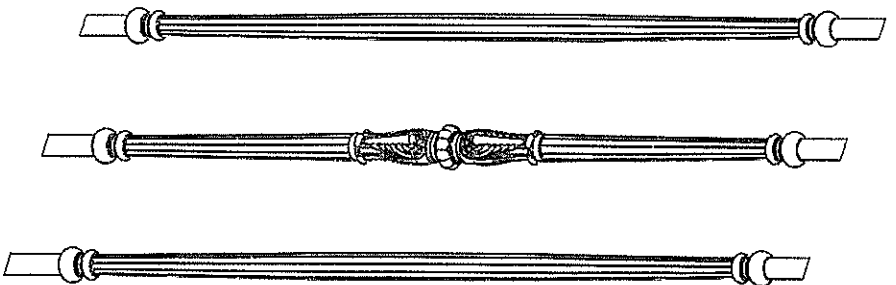
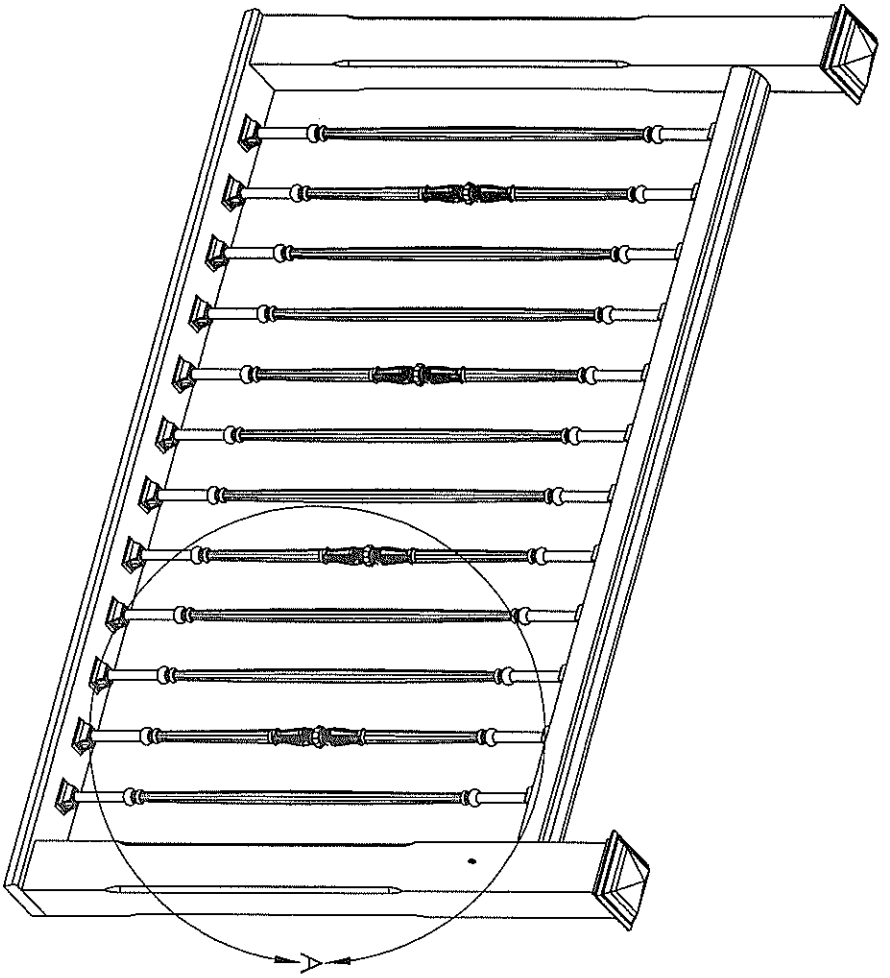
5

4

2

2

1



DETAIL A
SCALE 1 : 6

UNLESS OTHERWISE SPECIFIED:

- DIMENSIONS ARE IN INCHES
- TOLERANCES:
- FRACTIONAL ±
- ANGULAR: MA CH ± BEND ±
- TWO PLACE DECIMAL ±
- THREE PLACE DECIMAL ±
- INTERPRET GEOMETRIC TOLERANCING PER: MATERIAL
- FINISH
- DO NOT SCALE DRAWING

NAME DATE

TITLE:

PROPRIETARY AND CONFIDENTIAL
THE INFORMATION CONTAINED IN THIS DRAWING IS THE SOLE PROPERTY OF <INSERT COMPANY NAME HERE>. ANY REPRODUCTION IN PART OR AS A WHOLE WITHOUT THE WRITTEN PERMISSION OF <INSERT COMPANY NAME HERE> IS PROHIBITED.

NEXT ASSY

USED ON

APPLICATION

DO NOT SCALE DRAWING

SIZE DWG. NO.

A Victorian Alt-3

REV

SCALE: 1:20 WEIGHT:

SHEET 2 OF 2

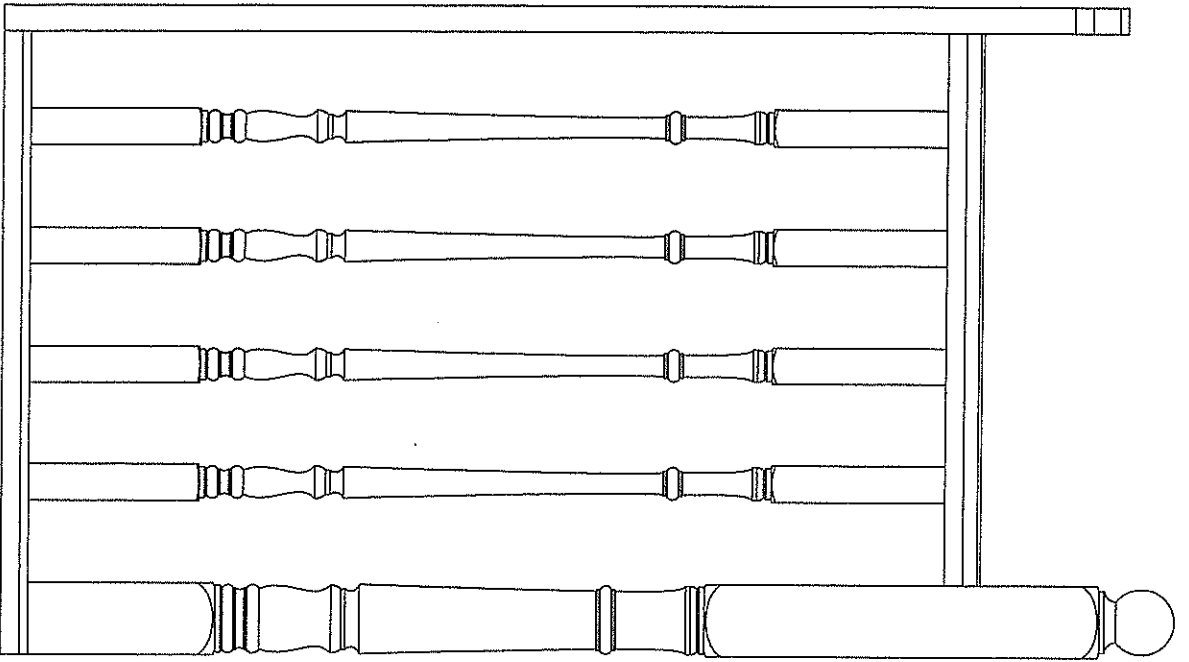
5

1

2

9

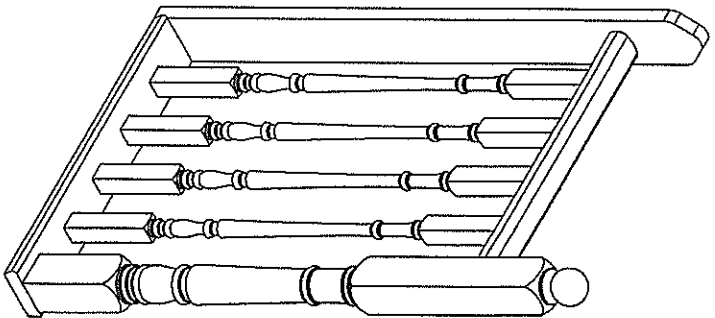
1



5

4

3



TITLE:

Wood Railing
System Samples

SIZE DWG.

A Colonial Small Series

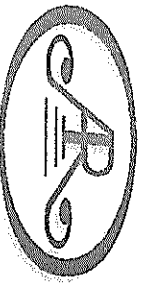
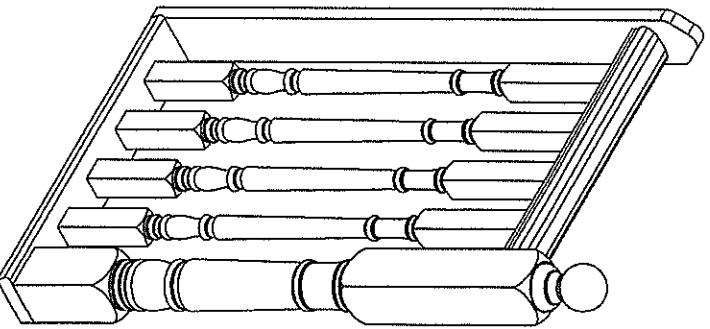
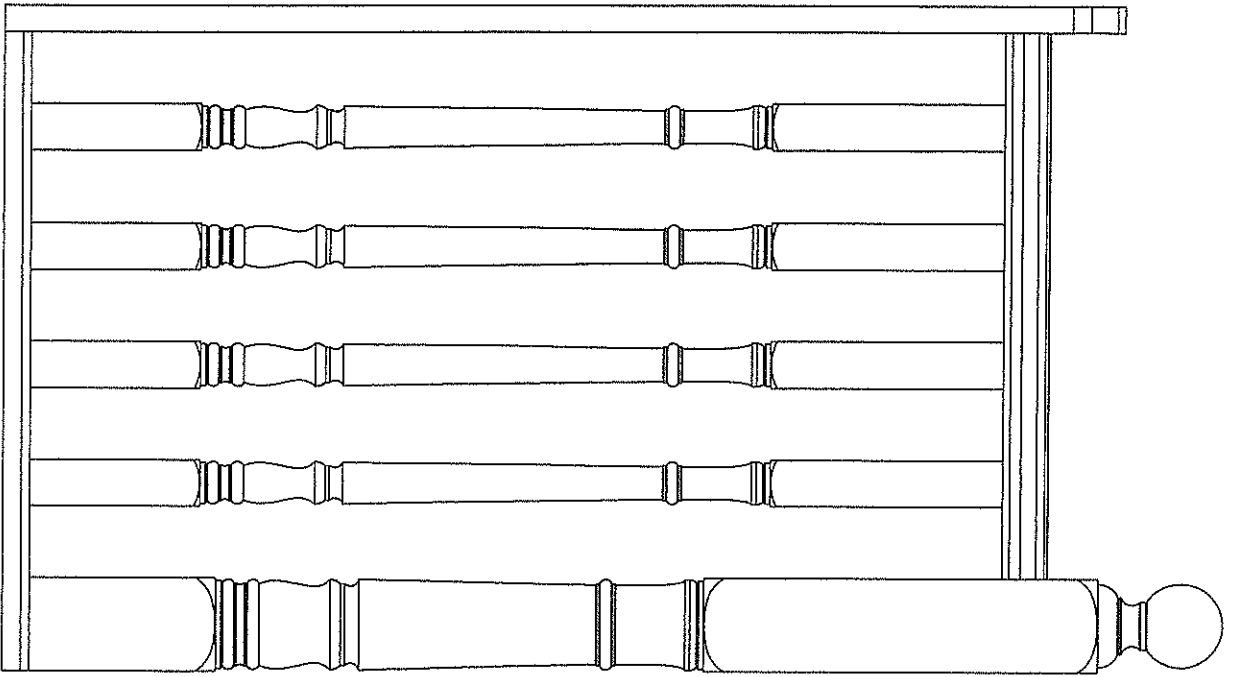
REV

PROPRIETARY AND CONFIDENTIAL
THE INFORMATION CONTAINED IN THIS
DRAWING IS THE SOLE PROPERTY OF
Airport Ornamental Railings Co. Ltd. ANY
REPRODUCTION IN PART OR AS A WHOLE
WITHOUT THE WRITTEN PERMISSION OF
Airport Ornamental Railings Co. Ltd IS
PROHIBITED.

SHEET 1 OF 1

2

1



TITLE:

Wood Railing
System Samples

SIZE DWG.

A Colonial Standard Series

REV

PROPRIETARY AND CONFIDENTIAL
THE INFORMATION CONTAINED IN THIS
DRAWING IS THE SOLE PROPERTY OF
Airport Ornamental Railings Co. Ltd. ANY
REPRODUCTION IN PART OR AS A WHOLE
WITHOUT THE WRITTEN PERMISSION OF
Airport Ornamental Railings Co. Ltd IS
PROHIBITED.

SHEET 1 OF 1

5

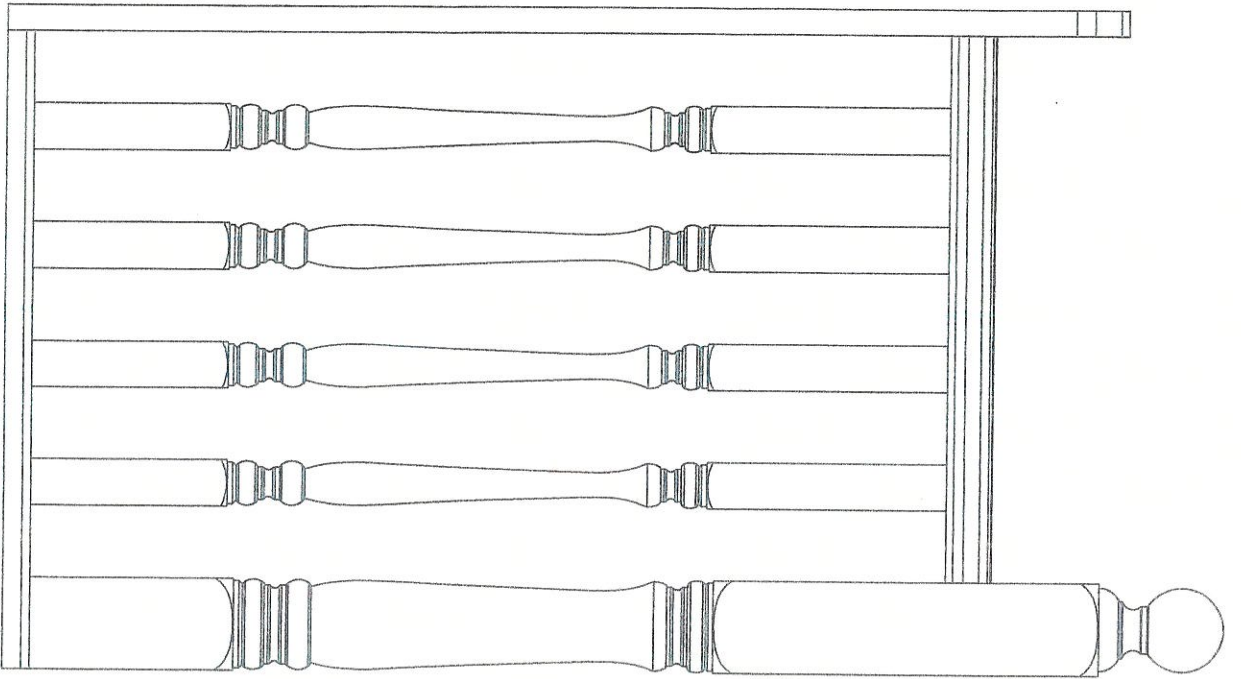
4

3

2

1

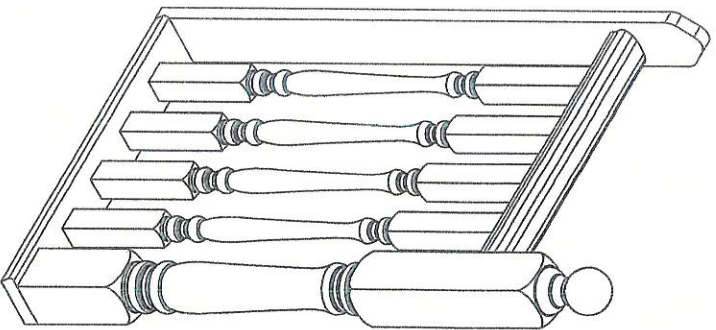
2



5

4

3



TITLE:

Wood Railing System Samples

SIZE DWG.

REV

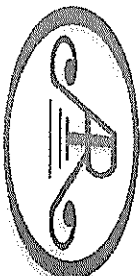
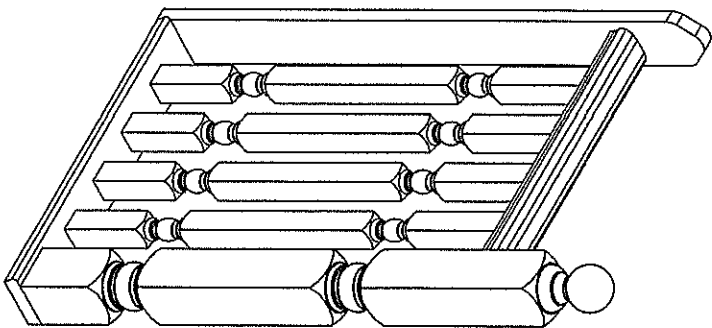
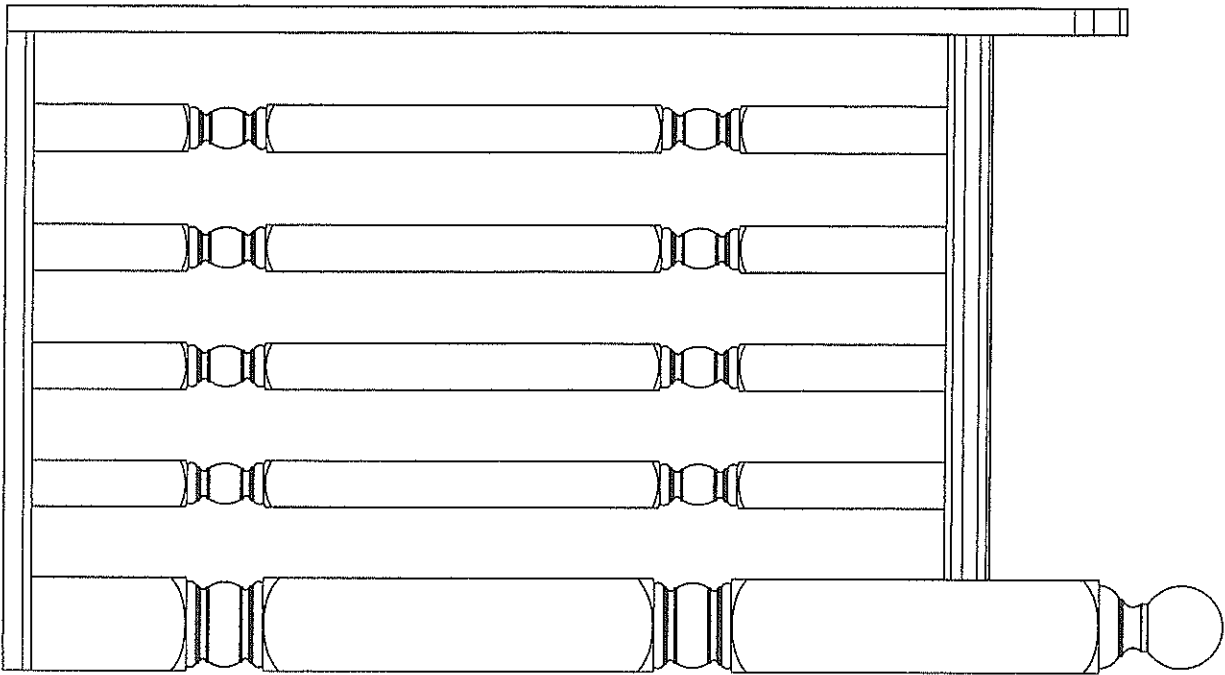
A French Provincial Standard Series

PROPRIETARY AND CONFIDENTIAL
 THE INFORMATION CONTAINED IN THIS DRAWING IS THE SOLE PROPERTY OF Airport Ornamental Railings Co. Ltd. ANY REPRODUCTION IN PART OR AS A WHOLE WITHOUT THE WRITTEN PERMISSION OF Airport Ornamental Railings Co. Ltd IS PROHIBITED.

SHEET 1 OF 1

2

1



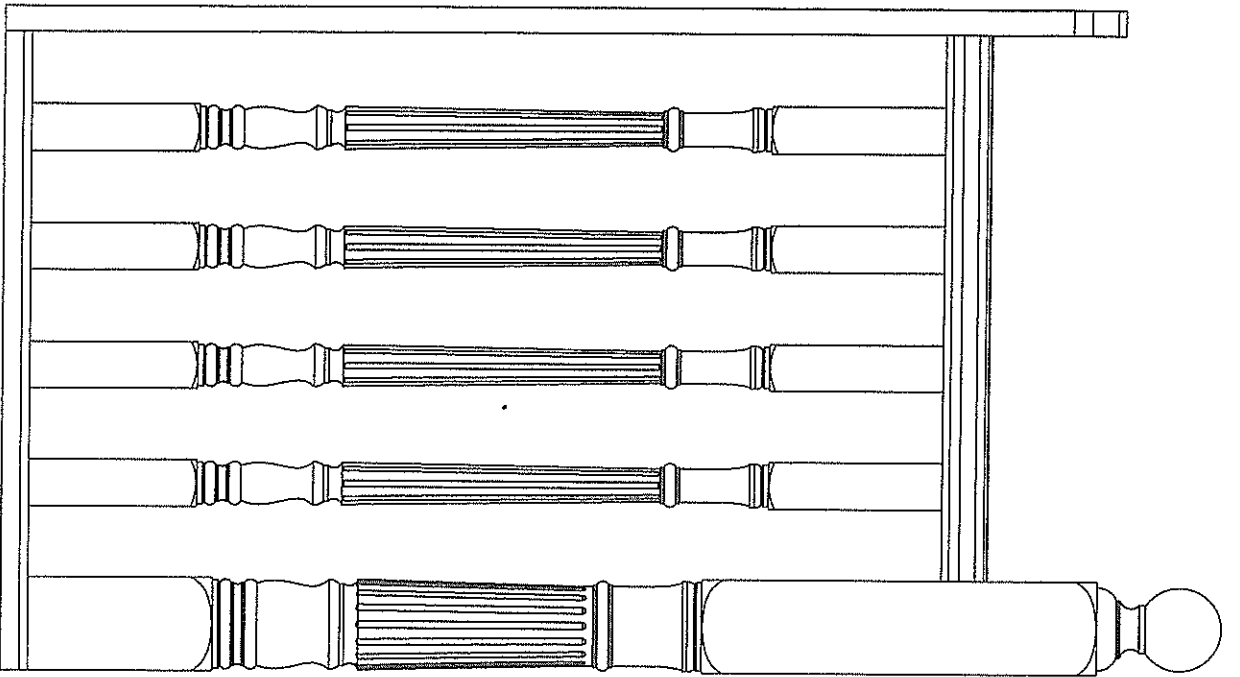
PROPRIETARY AND CONFIDENTIAL
 THE INFORMATION CONTAINED IN THIS
 DRAWING IS THE SOLE PROPERTY OF
 Airport Ornamental Railings Co. Ltd. ANY
 REPRODUCTION IN PART OR AS A WHOLE
 WITHOUT THE WRITTEN PERMISSION OF
 Airport Ornamental Railings Co. Ltd IS
 PROHIBITED.

TITLE:
**Wood Railing
 System Samples**

SIZE DWG.
A Lotus Standard Series

REV
 SHEET 1 OF 1

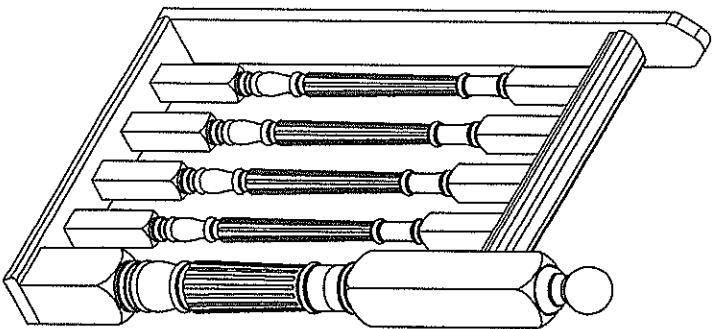
5 4 3 2 1



5

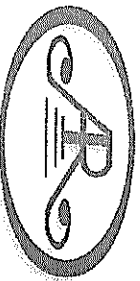
4

3



2

1



PROPRIETARY AND CONFIDENTIAL
 THE INFORMATION CONTAINED IN THIS
 DRAWING IS THE SOLE PROPERTY OF
 Airport Ornamental Railings Co. Ltd. ANY
 REPRODUCTION IN PART OR AS A WHOLE
 WITHOUT THE WRITTEN PERMISSION OF
 Airport Ornamental Railings Co. Ltd IS
 PROHIBITED.

TITLE:

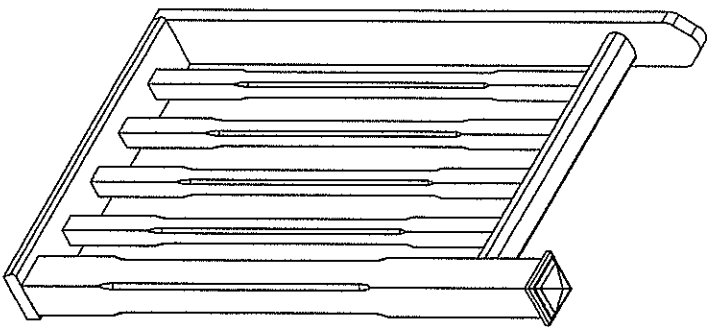
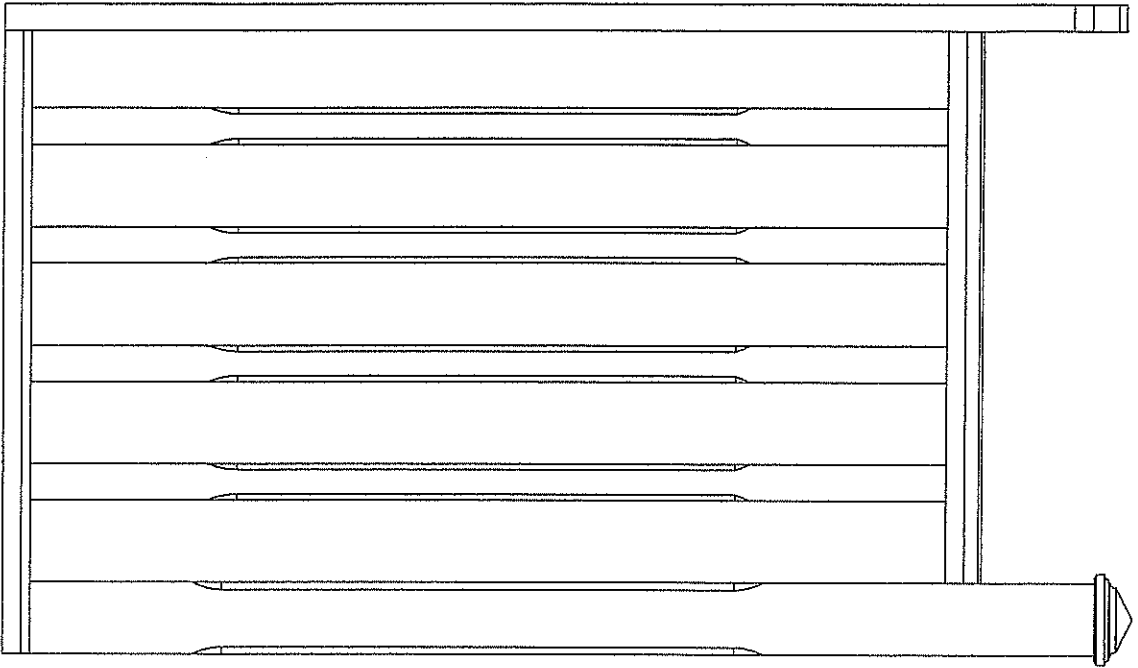
Wooden Railing
 System Samples

SIZE DWG.

A Colonial Fluted Series

REV

SHEET 1 OF 1



TITLE:
**Wood Railing
 System Samples**

PROPRIETARY AND CONFIDENTIAL
 THE INFORMATION CONTAINED IN THIS
 DRAWING IS THE SOLE PROPERTY OF
 Airport Ornamental Railings Co. Ltd. ANY
 REPRODUCTION IN PART OR AS A WHOLE
 WITHOUT THE WRITTEN PERMISSION OF
 Airport Ornamental Railings Co. Ltd IS
 PROHIBITED.

SIZE DWG.
A Square Chamfered Small Series

REV

SHEET 1 OF 1

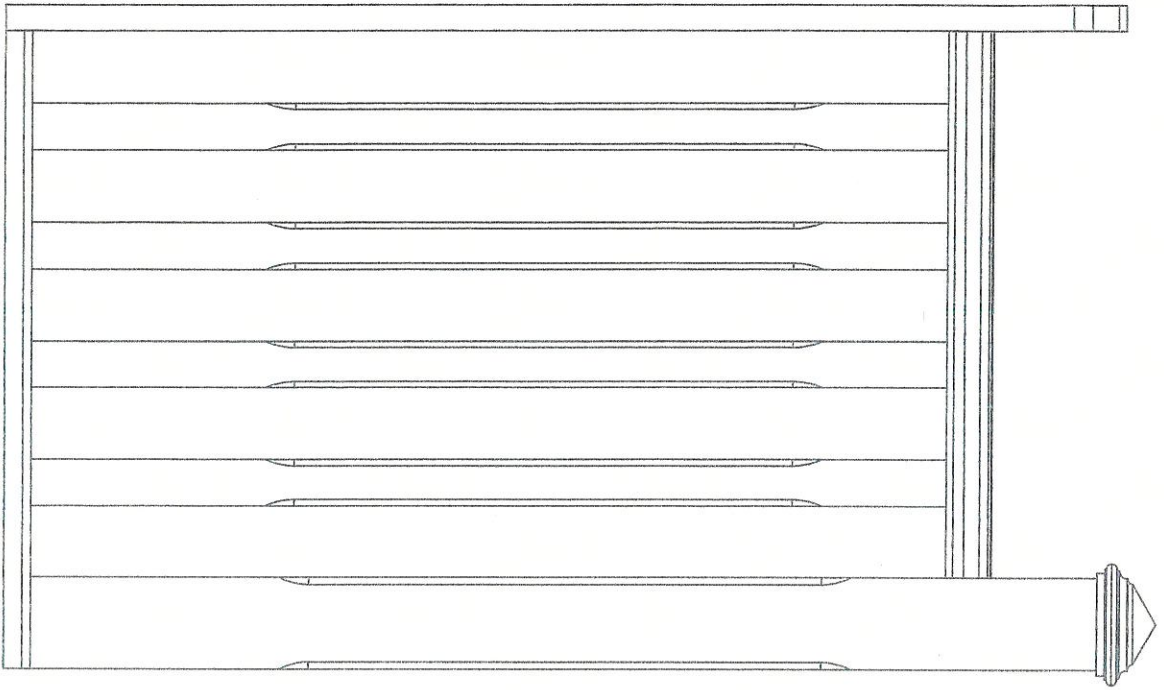
5

4

3

2

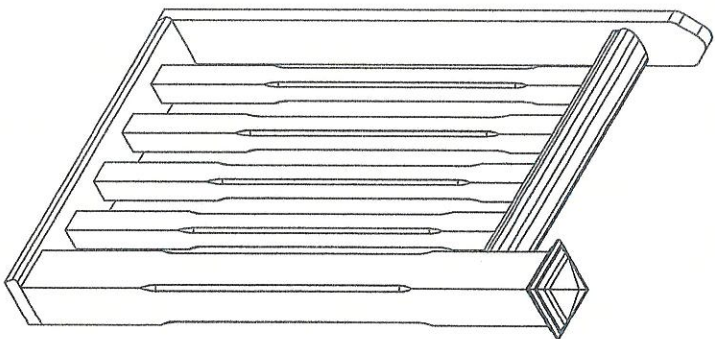
1



5

4

3



TITLE:

Wood Railing
System Samples

PROPRIETARY AND CONFIDENTIAL

THE INFORMATION CONTAINED IN THIS
DRAWING IS THE SOLE PROPERTY OF
Airport Ornamental Railings Co. Ltd. ANY
REPRODUCTION IN PART OR AS A WHOLE
WITHOUT THE WRITTEN PERMISSION OF
Airport Ornamental Railings Co. Ltd IS
PROHIBITED.

SIZE DWG.

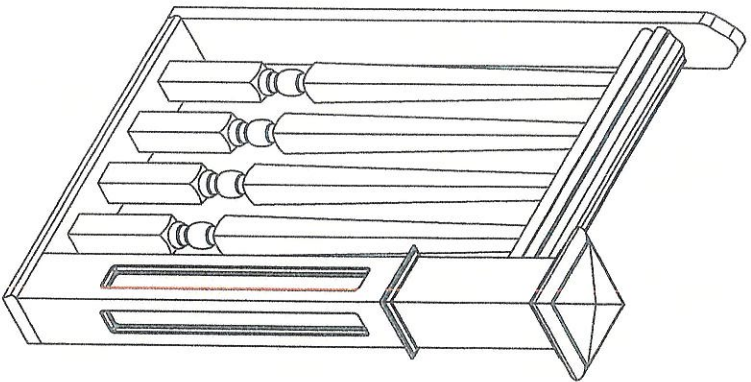
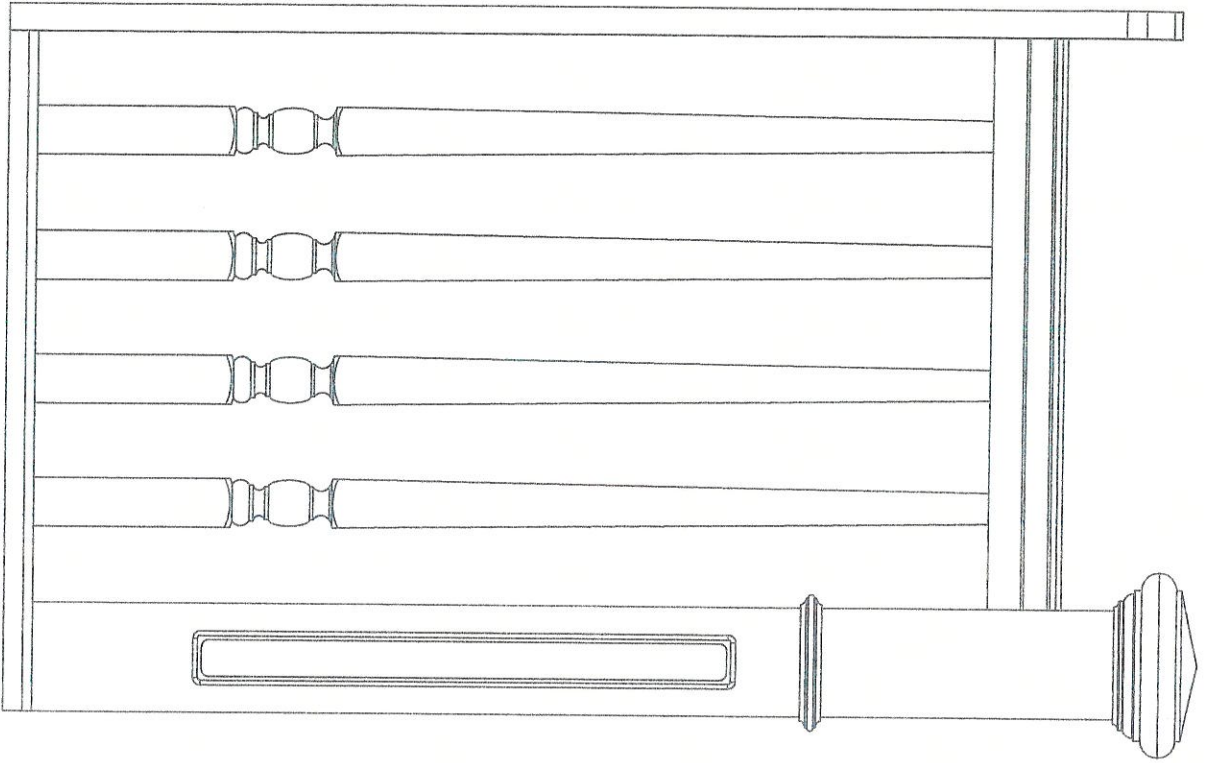
A Square Chamfered Standard Series

REV

SHEET 1 OF 1

2

1



PROPRIETARY AND CONFIDENTIAL
 THE INFORMATION CONTAINED IN THIS
 DRAWING IS THE SOLE PROPERTY OF
 Airport Ornamental Railings Co. Ltd. ANY
 REPRODUCTION IN PART OR AS A WHOLE
 WITHOUT THE WRITTEN PERMISSION OF
 Airport Ornamental Railings Co. Ltd IS
 PROHIBITED.

TITLE:

Wood Railing
System Samples

SIZE DWG.

A Square Tapered Series

REV